

BALDOR® • RELIANCE 

Product Information Packet

XT3032T-140

3HP,3450RPM,3PH,60HZ,145T,0532M,TEFC,F1

Part Detail							
Revision:	B	Status:	PRD/A	Change #:		Proprietary:	No
Type:	AC	Elec. Spec:	05WGX241	CD Diagram:	CD0005	Mfg Plant:	
Mech. Spec:		Layout:	05LY-000-377	Poles:	02	Created Date:	12-02-2020
Base:		Eff. Date:	03-07-2022	Leads:	9#18		

Specs			
Catalog Number:	XT3032T-140	Duty Rating:	CONT
Enclosure:	TEFC	Electrically Isolated Bearing:	Not Electrically Isolated
Frame:	145T	Feedback Device:	NO FEEDBACK
Frame Material:	Iron	Heater Indicator:	No Heater
Output @ Frequency:	3.000 HP @ 60 HZ	Insulation Class:	F
Synchronous Speed @ Frequency:	3600 RPM @ 60 HZ	Inverter Code:	Inverter Duty
Voltage @ Frequency:	460.0 V @ 60 HZ	IP Rating:	NONE
	208.0 V @ 60 HZ	KVA Code:	K
	230.0 V @ 60 HZ	Lifting Lugs:	No Lifting Lugs
XP Class and Group:	CLI GP A,B,C,D	Locked Bearing Indicator:	No Locked Bearing
XP Division:	Division II	Motor Lead Termination:	Flying Leads
Agency Approvals:	CCSA US	Motor Type:	0532M
	CSA EEV	Mounting Arrangement:	F1
	NEMA PREMIUM	Power Factor:	91
	UR	Product Family:	General Purpose
Auxillary Box:	No Auxillary Box	Pulley Face Code:	Standard
Auxillary Box Lead Termination:	None	Rodent Screen:	None
Base Indicator:	Rigid	Shaft Ground Indicator:	No Shaft Grounding

Bearing Grease Type:	Polyrex EM (-20F +300F)	Shaft Rotation:	Reversible
Blower:	None	Speed Code:	Single Speed
Constant Torque Speed Range:	6	Motor Standards:	NEMA
Current @ Voltage:	7.900 A @ 208.0 V	Starting Method:	Direct on line
	7.800 A @ 208.0 V	Thermal Device - Bearing:	None
	7.200 A @ 230.0 V	Thermal Device - Winding:	None
	3.600 A @ 460.0 V	Vibration Sensor Indicator:	No Vibration Sensor
Design Code:	B	Winding Thermal 1:	None
Drip Cover:	No Drip Cover	Winding Thermal 2:	None
		XP Temp Code:	T3C

Nameplate NP4225L			
CAT.NO.	XT3032T-140	I.P.	54
SPEC.	05-0000-0912	ENCL	TEFC
FRAME	145T	H.P.	3
VOLTS	208-230/460	P.F.	91
F.L. AMPS	7.9-7.2/3.6	RATING	40C AMB-CONT
R.P.M.	3450	USABLE AT 208V	7.8
HZ.	60	CLASS	F
SER.F.	1.15	SL HZ	1.8
NEMA NOM. EFF.	86.5	DES.	B
DE	6205	Wk2	0.09
MAG. CUR.	2.8/1.4	ODE	6203
INV TYPE	PWM	CHP	60
CT	6	TO	90
CC	010A	VT	6
		TO	60
		SN	
	USABLE AT 50 HZ 2.5HP 190/380V		
	7.2/3.6A		

Parts List		
Part Number	Description	Quantity
SA388540	SA 05-0000-0912	1.000 EA
RA378905	RA 05-0000-0912	1.000 EA
LB1115N	LABEL,LIFTING DEVICE (ON ROLLS)	1.000 EA
LC0005E01	CONN.DIA./WARNING LABEL (LC0005/LB1119N)	1.000 EA
NP4225L	SS SEVERE DUTY XT INV UL CSA	1.000 EA
85XU0407S04	4X1/4 U DRIVE PIN STAINLESS	2.000 EA
MN416A01	TAG-INSTAL-MAINT no wire (2100/bx) 4/22	1.000 EA
HW3201A05	3/8-16 EYEBOLT	1.000 EA
35FH4005A32SP	IEC FH NO GRSR W/3 HOLES - PRIMED	1.000 EA
51XW1032A06	10-32 X .38, TAPTITE II, HEX WSHR SLTD S	3.000 EA
34FN3002B01	EXTERNAL FAN, PLASTIC, .637/.639 HUB W/	1.000 EA
51XB0818A12	8-18X3/4 HXWSSLD SERTYB	1.000 EA
MJ1000A02	GREASE, MOBIL POLYREX EM - 124047	0.050 LB
HA3100A37	THRUBOLT 10-32 X 8.500	4.000 EA
XY1032A02	10-32 HEX NUT DIRECTIONAL SERRATION	4.000 EA
35EP3122K00	MASTER ODE,203 BRG,.683SH,#26 DRN,FH MTG	1.000 EA
HW4600B39SP	V-RING SLINGER 0.550 X 0.790 X .18 VITON	1.000 EA
HW5100A03	WAVY WASHER (W1543-017)	1.000 EA
HA4067A01	PUSH IN DRAIN FITTING (BLACK)	1.000 EA
35EP3123A00	MASTER DE,205 BRG,.998SH,#26 DRN	1.000 EA
HW4600B32SP	V-RING SLINGER 1.000 X 1.540 X .24 VITON	1.000 EA
HA4067A01	PUSH IN DRAIN FITTING (BLACK)	1.000 EA
06CB3000	BALDOR CONDUIT BOX CAST	1.000 EA
06GS1000	GASKET,CONDUIT BOX	1.000 EA

Parts List (continued)		
Part Number	Description	Quantity
51XW2520A12	SCREW, HEX SER SLT HD, ZN, 1/4-20 X .75	2.000 EA
11XW1032G06	10-32 X .38, TAPTITE II, HEX WSHR SLTD U	1.000 EA
HW3001B02	BRASS CUP WASHER W/GROUND SYMBOL TAB,	1.000 EA
06CB3500	BALDOR CONDUIT BOX LID	1.000 EA
06GS1001	BALDOR CONDUIT BOX GASKET	1.000 EA
51XW2520A12	.25-20 X .75, TAPTITE II, HEX WSHR SLTD	2.000 EA
MG1025L14	WILKOFASST, 776.14, GRUNDFOS BLACK	0.125 GA
36PA1000	PKG GRP, PRINT PK1016A06	1.000 EA
HW2501D13	KEY, 3/16 SQ X 1.375	1.000 EA
HA7000A01	KEY RETAINER 7/8" DIA SHAFT	1.000 EA
FE-0000001	ZRTG FE ASSEMBLY	1.000 EA
PE-0000001	ZRTG PE ASSEMBLY	1.000 EA

AC Induction Motor Performance Data

Record # 82534

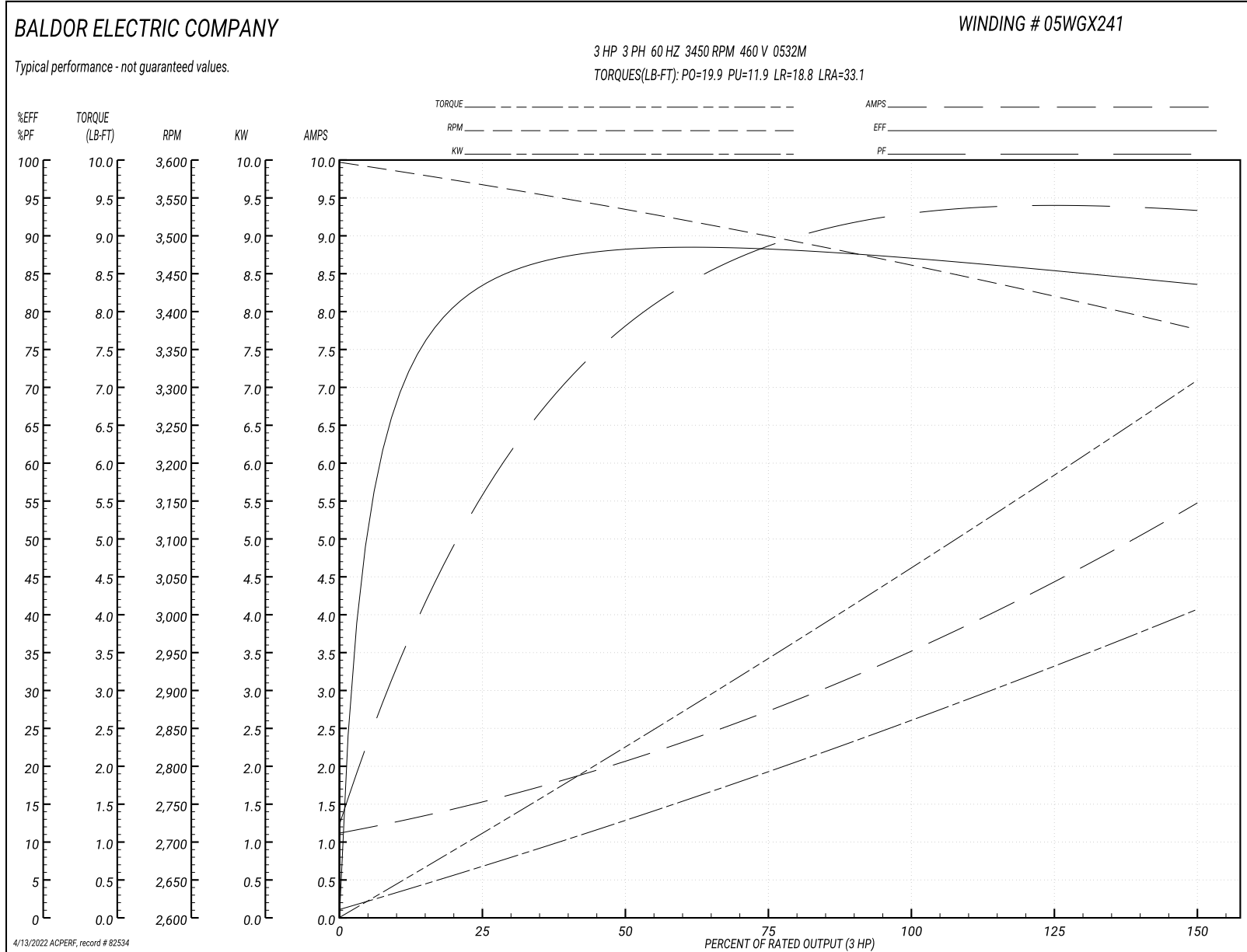
Typical performance - not guaranteed values

Winding: 05WGX241-R012		Type: 0532M	Enclosure: TEFC	
Nameplate Data			460 V, 60 Hz: High Voltage Connection	
Rated Output (HP)	3	Full Load Torque	4.62 LB-FT	
Volts	208-230/460	Start Configuration	direct on line	
Full Load Amps	7.9-7.2/3.6	Breakdown Torque	19.9 LB-FT	
R.P.M.	3450	Pull-up Torque	11.9 LB-FT	
Hz	60 Phase	Locked-rotor Torque	18.8 LB-FT	
NEMA Design Code	B KVA Code	Starting Current	33.1 A	
Service Factor (S.F.)	1.15	No-load Current	1.17 A	
NEMA Nom. Eff.	86.5 Power Factor	Line-line Res. @ 25°C	4.72 Ω	
Rating - Duty	40C AMB-CONT	Temp. Rise @ Rated Load	57°C	
S.F. Amps		Temp. Rise @ S.F. Load	72°C	

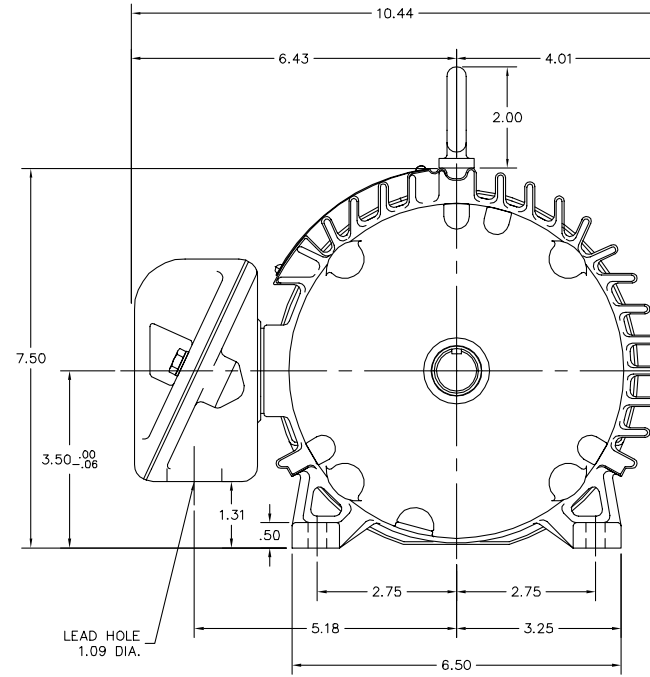
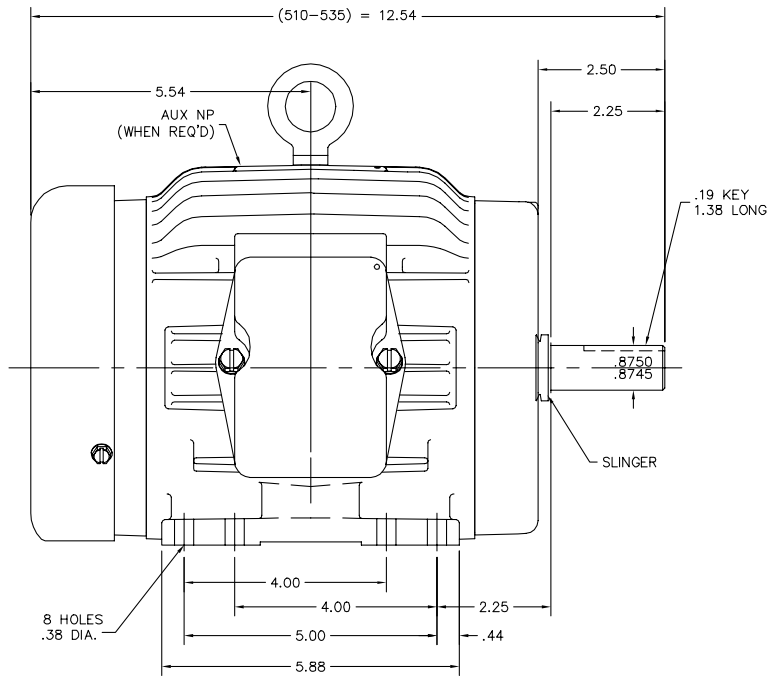
Load Characteristics 460 V, 60 Hz, 3 HP

% of Rated Load	25	50	75	100	125	150	S.F.
Power Factor	62	81	88	91	93	94	92
Efficiency	83.6	87.9	88.2	87.2	85.6	83.5	86.2
Speed	3562	3531	3498	3463	3421	3375	3438
Line amperes	1.5	2.08	2.79	3.57	4.46	5.44	4.1

Performance Graph at 460V, 60Hz, 3.0HP Typical performance - Not guaranteed values



05LY-000-377



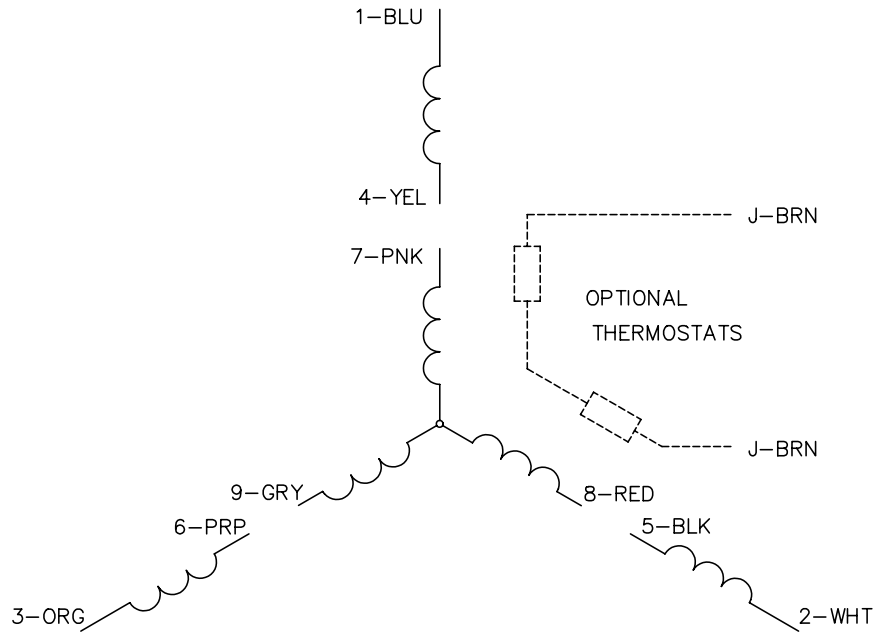
05LY-000-377

CUSTOMER IS RESPONSIBLE FOR DETERMINING THAT THE PRODUCT WILL PERFORM SUITABLY IN THE INTENDED APPLICATION.

REV. DESC: NEW	VERSION: 00	TDR: 000001146643
REV. LTR: -	REVISED: 01:59:08 09/09/2020	BY: ENROBRO
FILE: \AAA\00255\663		
MTL: -		

BALDOR - RELIANCE[®]
 HORZ TEFC 143-5T 305M W/SEALED BRGS
 SH 1 of 1

CD0005



LOW VOLTAGE
(2Y)



LINE

HIGH VOLTAGE
(1Y)



LINE

NOTES:

1. INTERCHANGE ANY TWO LINE LEADS TO REVERSE ROTATION.
2. OPTIONAL THERMOSTATS ARE PROVIDED WHEN SPECIFIED.
3. ACTUAL NUMBER OF INTERNAL PARALLEL CIRCUITS MAY BE A MULTIPLE OF THOSE SHOWN ABOVE.
4. LEAD COLORS ARE OPTIONAL. LEADS MUST ALWAYS BE NUMBERED AS SHOWN.

REV. DESC: REVISE TO SHOW OPTIONAL COLORS			
REV. LTR: E	BY: JLP	REVISED: 01/19/99 10:15	TDR: 0171435
9000D		FILE: AAA00005140	MDL: -
		MTL: -	

BALDOR ELECTRIC Co.

3PH, DV, 9 LEADS

CD0005

Marketing maintained PDF of MN416:

<http://www.baldor.com/support/Literature/Load.ashx/MN416?ManNumber=MN416>