

**BALDOR® • RELIANCE** 

**Product Information Packet**

**XT3032T-5**

**3HP,3500RPM,3PH,60HZ,182T,0628M,TEFC,F1**

Part Detail							
Revision:	-	Status:	PRD/A	Change #:		Proprietary:	No
Type:	AC	Elec. Spec:	06WGW042	CD Diagram:	CD0006	Mfg Plant:	
Mech. Spec:		Layout:	06LYF436	Poles:	02	Created Date:	05-18-2021
Base:		Eff. Date:	07-09-2021	Leads:	3#16		

Specs			
Catalog Number:	XT3032T-5	Heater Indicator:	No Heater
Enclosure:	TEFC	Insulation Class:	F
Frame:	182T	Inverter Code:	Inverter Duty
Frame Material:	Iron	IP Rating:	NONE
Output @ Frequency:	3.000 HP @ 60 HZ	KVA Code:	L
Synchronous Speed @ Frequency:	3600 RPM @ 60 HZ	Lifting Lugs:	Standard Lifting Lugs
Voltage @ Frequency:	575.0 V @ 60 HZ	Locked Bearing Indicator:	No Locked Bearing
XP Class and Group:	CLI GP A,B,C,D	Motor Lead Termination:	Flying Leads
XP Division:	Division II	Motor Type:	0628M
Agency Approvals:	CCSA US	Mounting Arrangement:	F1
	CSA EEV	Power Factor:	92
	NEMA PREMIUM	Product Family:	General Purpose
	UR	Pulley Face Code:	Standard
Auxillary Box:	No Auxillary Box	Rodent Screen:	None
Auxillary Box Lead Termination:	None	Shaft Ground Indicator:	No Shaft Grounding
Base Indicator:	Rigid	Shaft Rotation:	Reversible
Bearing Grease Type:	Polyrex EM (-20F +300F)	Speed Code:	Single Speed
Blower:	None	Motor Standards:	NEMA

<b>Constant Torque Speed Range:</b>	6	<b>Starting Method:</b>	Direct on line
<b>Current @ Voltage:</b>	2.700 A @ 575.0 V	<b>Thermal Device - Bearing:</b>	None
<b>Design Code:</b>	B	<b>Thermal Device - Winding:</b>	None
<b>Drip Cover:</b>	No Drip Cover	<b>Vibration Sensor Indicator:</b>	No Vibration Sensor
<b>Duty Rating:</b>	CONT	<b>Winding Thermal 1:</b>	None
<b>Electrically Isolated Bearing:</b>	Not Electrically Isolated	<b>Winding Thermal 2:</b>	None
<b>Feedback Device:</b>	NO FEEDBACK	<b>XP Temp Code:</b>	T3C

Nameplate NP4224L									
CAT.NO.	XT3032T-5	I.P.	54						
SPEC.	06-0000-0925	ENCL.	TEFC						
FRAME	182T	H.P.	3	T. CODE	T3C				
VOLTS	575	P.F.	92	RATING	40C AMB-CONT				
F.L. AMPS	2.7	R.P.M.	3500	USABLE AT 208V					
HZ.	60	PH.	3	CLASS	F				
SER.F.	1.00	DES.	B	SL HZ	1.8				
NEMA NOM. EFF.	88.5	WV2	0.13	ODE	6205				
DE	6206	CT	6	TO	60				
MAG. CUR.	.8	CHP	60	VT	6	TO	60	INV TEMP CODE	T3C
INV TYPE	PWM	CC	010A	SN					
	1.15 SF ON SINE WAVE								

Parts List		
Part Number	Description	Quantity
SA395130	SA 06-0000-0925	1.000 EA
RA385854	RA 06-0000-0925	1.000 EA
LB1115N	LABEL,LIFTING DEVICE (ON ROLLS)	1.000 EA
LB1119N	WARNING LABEL	1.000 EA
LB1449	DIV-2/NEC WARNING LABEL	1.000 EA
NP4224L	SS CP INV DIV-2 UL CSA-C US EEV PREM, DI	1.000 EA
85XU0407S04	4X1/4 U DRIVE PIN STAINLESS	2.000 EA
MN416A01	TAG-INSTAL-MAINT no wire (2100/bx) 4/22	1.000 EA
HW3201A05	3/8-16 EYEBOLT	1.000 EA
36FH4009A101	IEC FH NO GREASER, W/PRIMER	1.000 EA
51XW1032A06	10-32 X .38, TAPTITE II, HEX WSHR SLTD S	3.000 EA
34FN3002A02	EXTERNAL FAN, PLASTIC, .905/.907 HUB W/	1.000 EA
51XB0818A12	8-18X3/4 HXWSSLD SERTYB	1.000 EA
MJ1000A02	GREASE, MOBIL POLYREX EM - 124047	0.050 LB
HA3101A34	THRUBOLT- 1/4-20 X 10.375	4.000 EA
XY2520A12	1/4-20 HEX NUT, DIRECTIONAL SERRATIONS	4.000 EA
36EP3104B47	FREP MACH W/O GRSS,RAISED FH PADS,SLING	1.000 EA
HW4600B32SP	V-RING SLINGER 1.000 X 1.540 X .24 VITON	1.000 EA
HW5100A05	WVY WSHR F/205 & 304 BRGS	1.000 EA
HA4067A01	PUSH IN DRAIN FITTING (BLACK)	1.000 EA
36EP3100A04	PU ENDPLATE, MACH	1.000 EA
HW4600B36SP	V-RING SLINGER 1.188 X 1.690 X .24 VITON	1.000 EA
HA4067A01	PUSH IN DRAIN FITTING (BLACK)	1.000 EA
06CB3000	BALDOR CONDUIT BOX CAST	1.000 EA

<b>Parts List (continued)</b>		
<b>Part Number</b>	<b>Description</b>	<b>Quantity</b>
06GS1000	GASKET,CONDUIT BOX	1.000 EA
51XW2520A12	SCREW, HEX SER SLT HD, ZN, 1/4-20 X .75	2.000 EA
11XW1032G06	10-32 X .38, TAPTITE II, HEX WSHR SLTD U	1.000 EA
HW3001B02	BRASS CUP WASHER W/GROUND SYMBOL TAB,	1.000 EA
06CB3500	BALDOR CONDUIT BOX LID	1.000 EA
06GS1001	BALDOR CONDUIT BOX GASKET	1.000 EA
51XW2520A12	.25-20 X .75, TAPTITE II, HEX WSHR SLTD	2.000 EA
MG1025L14	WILKOFAS, 776.14, GRUNDFOS BLACK	0.125 GA
36PA1001	PKG GRP, PRINT PK1017A06	1.000 EA
HW2501E16	KEY, 1/4 SQ X 1.750	1.000 EA
HA7000A02	KEY RETAINER RING, 1 1/8 DIA, 1 3/8 DIA	1.000 EA

**AC Induction Motor Performance Data**

Record # 88447

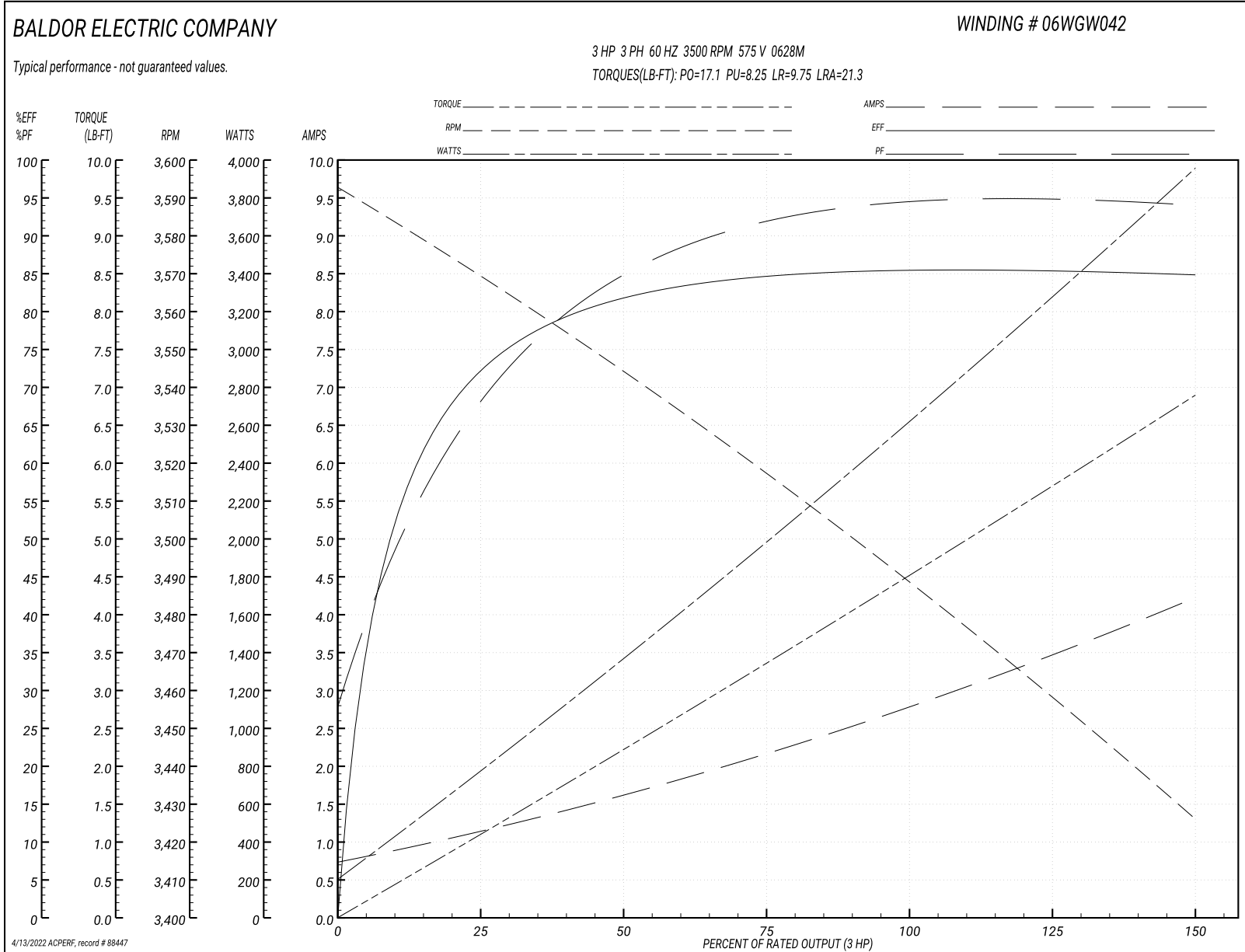
Typical performance - not guaranteed values

<b>Winding: 06WGW042-R001</b>		<b>Type: 0628M</b>		<b>Enclosure: TEFC</b>	
<b>Nameplate Data</b>			<b>575 V, 60 Hz: Single Voltage Motor</b>		
<b>Rated Output (HP)</b>		3	<b>Full Load Torque</b>		4.52 LB-FT
<b>Volts</b>		575	<b>Start Configuration</b>		direct on line
<b>Full Load Amps</b>		2.7	<b>Breakdown Torque</b>		17.1 LB-FT
<b>R.P.M.</b>		3500	<b>Pull-up Torque</b>		8.25 LB-FT
<b>Hz</b>	60 Phase	3	<b>Locked-rotor Torque</b>		9.75 LB-FT
<b>NEMA Design Code</b>	B	KVA Code	L	<b>Starting Current</b>	21.3 A
<b>Service Factor (S.F.)</b>		1.15	<b>No-load Current</b>		0.776 A
<b>NEMA Nom. Eff.</b>	88.5	<b>Power Factor</b>	92	<b>Line-line Res. @ 25°C</b>	6.43 Ω
<b>Rating - Duty</b>		40C	AMB-CONT	<b>Temp. Rise @ Rated Load</b>	35°C
<b>S.F. Amps</b>				<b>Temp. Rise @ S.F. Load</b>	41°C
				<b>Locked-rotor Power Factor</b>	44.3
				<b>Rotor inertia</b>	0.126 lb-ft <sup>2</sup>

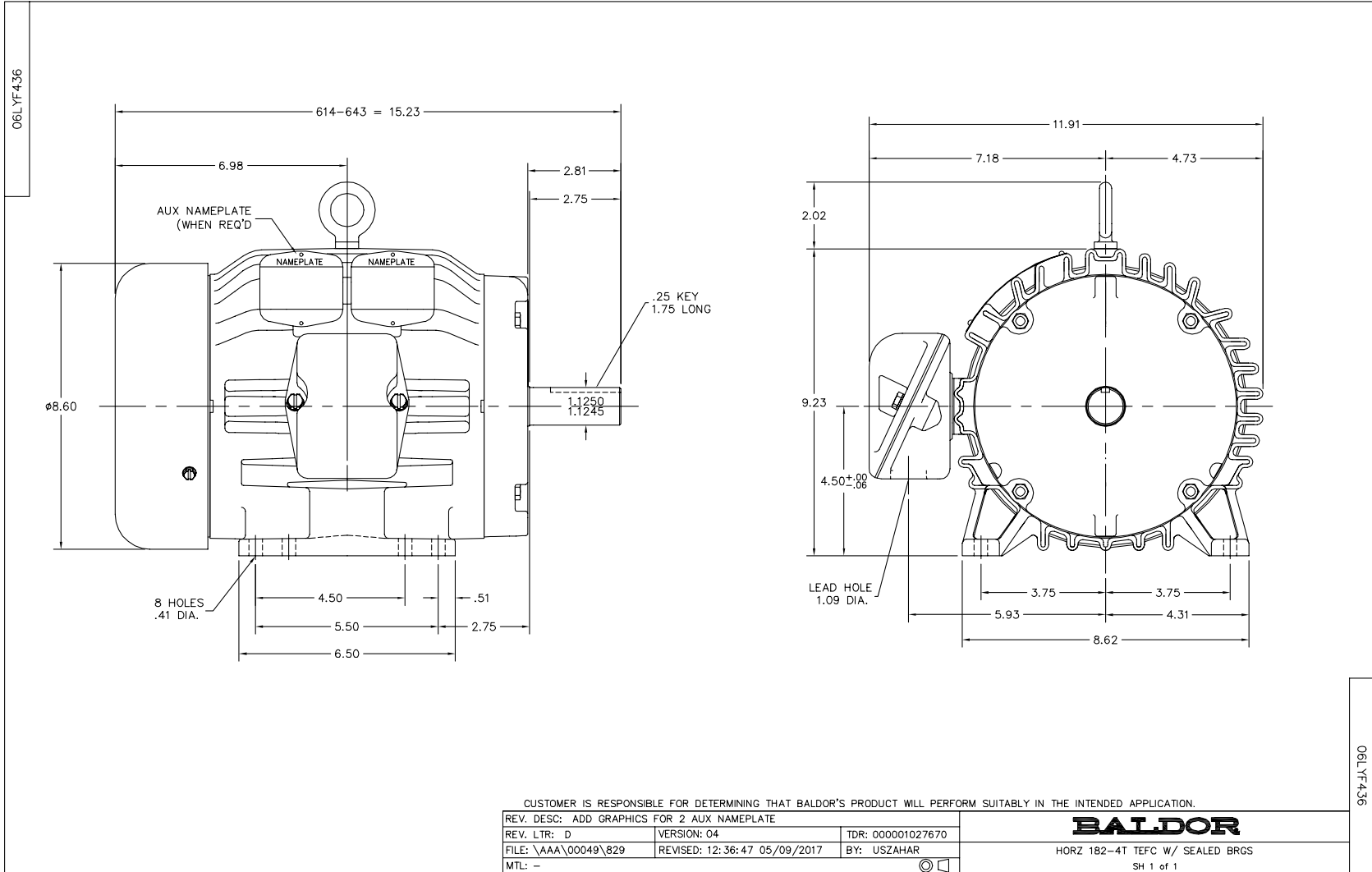
**Load Characteristics 575 V, 60 Hz, 3 HP**

<b>% of Rated Load</b>	<b>25</b>	<b>50</b>	<b>75</b>	<b>100</b>	<b>125</b>	<b>150</b>	<b>S.F.</b>
<b>Power Factor</b>	72	86	91	93	94	95	94
<b>Efficiency</b>	71.9	81.5	84.6	85.5	85.4	84.8	85.4
<b>Speed</b>	3569	3544	3517	3489	3458	3426	3470
<b>Line amperes</b>	1.09	1.6	2.18	2.82	3.49	4.2	3.22

Performance Graph at 575V, 60Hz, 3.0HP Typical performance - Not guaranteed values







CD0006



NOTES:

1. THREE LEAD MOTOR MAY BE EITHER WYE CONNECTED OR DELTA CONNECTED.
2. INTERCHANGE ANY TWO LINE LEADS TO REVERSE ROTATION.
3. OPTIONAL THERMOSTATS ARE PROVIDED WHEN SPECIFIED.
4. ACTUAL NUMBER OF INTERNAL PARALLEL CIRCUITS MAY VARY.
5. LEAD COLORS ARE OPTIONAL. LEADS MUST BE NUMBERED AS SHOWN.

CD0006

REV. DESC: ADD CLASS CONN00000007		
REV. LTR: E	VERSION: 01	TDR: 000001099922
FILE: \AAA\00005\141	REVISED: 10:24:49 02/19/2019	BY: ENBRIRO
MTL: -	© □	

**BALDOR - RELIANCE®**

3PH, SV, 3 LEADS, WYE OR DELTA CONNECTED

SH 1 of 1

Marketing maintained PDF of MN416:

<http://www.baldor.com/support/Literature/Load.ashx/MN416?ManNumber=MN416>