

**BALDOR® • RELIANCE** 

**Product Information Packet**

**XT3072T-5**

**7.5HP,3510RPM,3PH,60HZ,213T,0726M,TEFC,F**

Part Detail							
Revision:	-	Status:	PRD/A	Change #:		Proprietary:	No
Type:	AC	Elec. Spec:	07WGR535	CD Diagram:	CD0006	Mfg Plant:	
Mech. Spec:		Layout:	07LYJ065	Poles:	02	Created Date:	05-27-2021
Base:		Eff. Date:	07-08-2021	Leads:	3#14		

Specs			
Catalog Number:	XT3072T-5	Heater Indicator:	No Heater
Enclosure:	TEFC	Insulation Class:	F
Frame:	213T	Inverter Code:	Inverter Duty
Frame Material:	Iron	IP Rating:	NONE
Output @ Frequency:	7.500 HP @ 60 HZ	KVA Code:	H
Synchronous Speed @ Frequency:	3600 RPM @ 60 HZ	Lifting Lugs:	Standard Lifting Lugs
Voltage @ Frequency:	575.0 V @ 60 HZ	Locked Bearing Indicator:	No Locked Bearing
XP Class and Group:	CLI GP A,B,C,D	Motor Lead Termination:	Flying Leads
XP Division:	Division II	Motor Type:	0726M
Agency Approvals:	CCSA US	Mounting Arrangement:	F1
	CSA EEV	Power Factor:	86
	NEMA PREMIUM	Product Family:	General Purpose
	UR	Pulley Face Code:	Standard
Auxillary Box:	No Auxillary Box	Rodent Screen:	None
Auxillary Box Lead Termination:	None	Shaft Ground Indicator:	No Shaft Grounding
Base Indicator:	Rigid	Shaft Rotation:	Reversible
Bearing Grease Type:	Polyrex EM (-20F +300F)	Speed Code:	Single Speed
Blower:	None	Motor Standards:	NEMA

<b>Constant Torque Speed Range:</b>	6	<b>Starting Method:</b>	Direct on line
<b>Current @ Voltage:</b>	7.200 A @ 575.0 V	<b>Thermal Device - Bearing:</b>	None
<b>Design Code:</b>	B	<b>Thermal Device - Winding:</b>	None
<b>Drip Cover:</b>	No Drip Cover	<b>Vibration Sensor Indicator:</b>	No Vibration Sensor
<b>Duty Rating:</b>	CONT	<b>Winding Thermal 1:</b>	None
<b>Electrically Isolated Bearing:</b>	Not Electrically Isolated	<b>Winding Thermal 2:</b>	None
<b>Feedback Device:</b>	NO FEEDBACK	<b>XP Temp Code:</b>	T3C

Nameplate NP4224L										
CAT.NO.	XT3072T-5						I.P.	54		
SPEC.	07-0000-1054						ENCL	TEFC		
FRAME	213T		H.P.	7.5		T. CODE	T3C			
VOLTS	575			P.F.	86					
F.L. AMPS	7.2			RATING	40C AMB-CONT					
R.P.M.	3510			USABLE AT 208V						
HZ.	60		PH.	3		CLASS	F			
SER.F.	1.00		DES.	B		SL HZ	1.5			
NEMA NOM. EFF.	89.5		WV	0.25						
DE	6307		ODE	6206						
MAG. CUR.	2.9									
INV TYPE	PWM		CHP	60		TO	90		INV TEMP CODE	T3C
CT	6		TO	60		VT	6		TO	60
CC	010A		SN							
1.15 SF ON SINE WAVE										

Parts List		
Part Number	Description	Quantity
SA395153	SA 07-0000-1054	1.000 EA
RA385879	RA 07-0000-1054	1.000 EA
LB1115N	LABEL,LIFTING DEVICE (ON ROLLS)	1.000 EA
LB1119N	WARNING LABEL	1.000 EA
LC0006	CONNECTION LABEL	1.000 EA
LB1449	DIV-2/NEC WARNING LABEL	1.000 EA
NP4224L	SS CP INV DIV-2 UL CSA-C US EEV PREM, DI	1.000 EA
85XU0407S04	4X1/4 U DRIVE PIN STAINLESS	2.000 EA
MN416A01	TAG-INSTAL-MAINT no wire (2100/bx) 4/22	1.000 EA
HW3201A05	3/8-16 EYEBOLT	1.000 EA
07FH4007A07	IEC FH NO GRSSR, NOTCH @ 6:00 & 3 F/C HOL	1.000 EA
51XW1032A06	10-32 X .38, TAPTITE II, HEX WSHR SLTD S	3.000 EA
36FN3000C02SP	EXFN, PLASTIC, 5.25 OD, 1.175 ID	1.000 EA
51XB1214A16	12-14X1.00 HXWSSLD SERTYB	1.000 EA
MJ1000A02	GREASE, MOBIL POLYREX EM - 124047	0.050 LB
HA3104A32	THRUBOLT- 5/16-18 X12.750	4.000 EA
XY3118A12	5/16-18 HEX NUT DIRECTIONAL SERRATION	4.000 EA
37EP3101A04	FR ENDPLATE, MACH	1.000 EA
HW4600B36SP	V-RING SLINGER 1.188 X 1.690 X .24 VITON	1.000 EA
HW5100A06	W2420-025 WVY WSHR (WB)	1.000 EA
HA4067A01	PUSH IN DRAIN FITTING (BLACK)	1.000 EA
37EP3100A02	PU ENDPLATE, MACH	1.000 EA
HW4600C51	31X39X7.5MM FACE SEAL FOR 1.375 DIA. SH	1.000 EA
HA4067A01	PUSH IN DRAIN FITTING (BLACK)	1.000 EA

<b>Parts List (continued)</b>		
<b>Part Number</b>	<b>Description</b>	<b>Quantity</b>
09CB3002SP	CB W/1.38 LEAD HOLE FOR 37, 39, 307 & 30	1.000 EA
09GS1000SP	GASKET-CONDUIT BOX, 1/16 THICK LEXIDE	1.000 EA
51XW2520A12	.25-20 X .75, TAPTITE II, HEX WSHR SLTD	2.000 EA
WD1000B16	T&B CX70TN OR L70P TERMINAL LUG	1.000 EA
59XW2520G07	.25-20X.44,HEX SER WSHR,TAPTITE 2,GREEN	1.000 EA
09CB3501SP	CONDUIT BOX LID FOR 09CB3001 & 09CB3002	1.000 EA
09GS1013SP	GS FOR 09CB3501, 12CB1500 & 12CB1503 LID	1.000 EA
51XW2520A12	.25-20 X .75, TAPTITE II, HEX WSHR SLTD	2.000 EA
MG1025L14	WILKOFASST, 776.14, GRUNDFOS BLACK	0.125 GA
07PA1011	PKG GRP, 07 CAST IRON PK1181	1.000 EA
10XL3808A28	3/8 X 1 3/4" LAG SCREW	2.000 EA
HW2501F21	KEY, 5/16 SQ X 2.375	1.000 EA
HA7000A02	KEY RETAINER RING, 1 1/8 DIA, 1 3/8 DIA	1.000 EA
FE-0000001	ZRTG FE ASSEMBLY	1.000 EA

**AC Induction Motor Performance Data**

Record # 77544

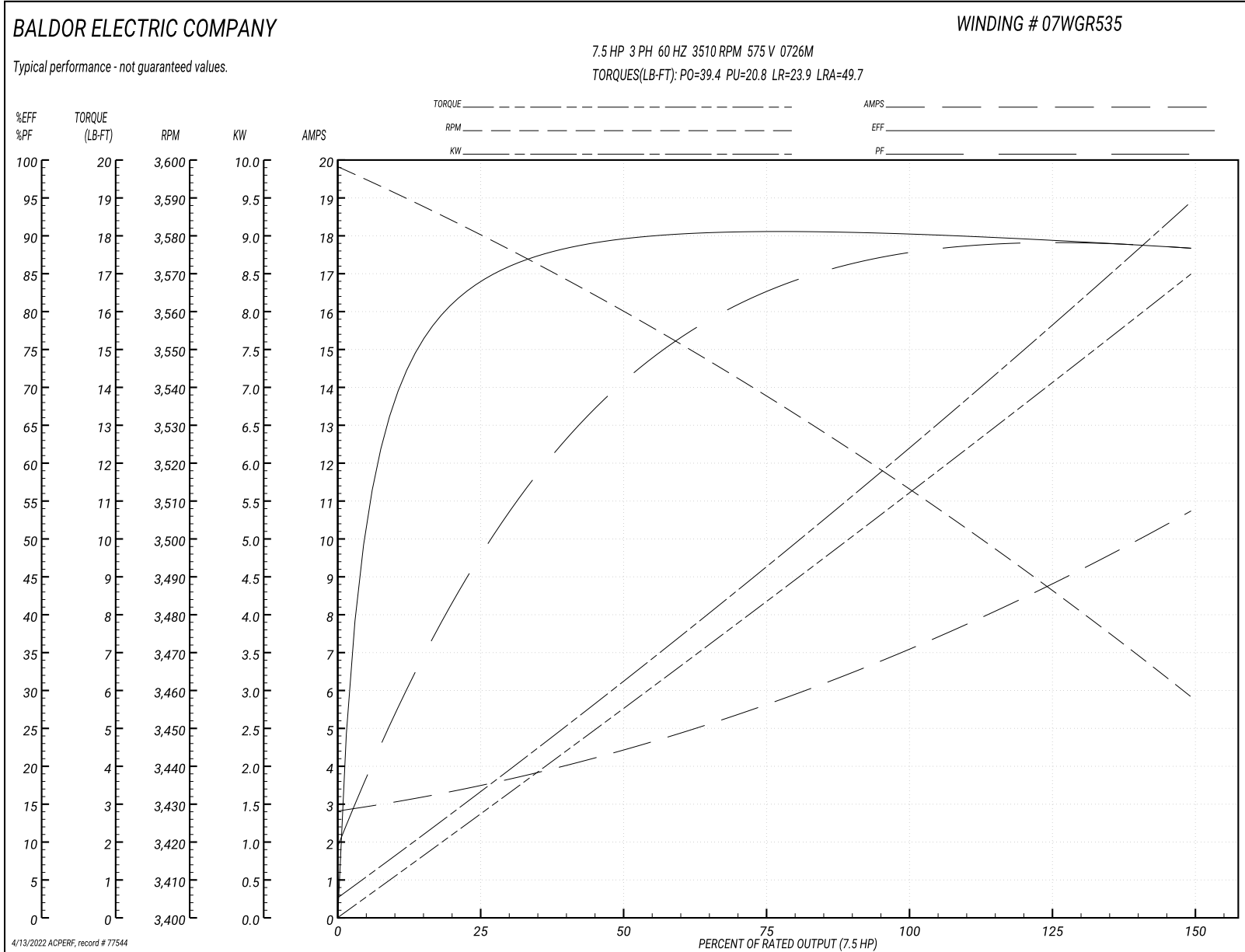
Typical performance - not guaranteed values

Winding: 07WGR535-R001		Type: 0726M	Enclosure: TEFC
<b>Nameplate Data</b>		<b>575 V, 60 Hz: Single Voltage Motor</b>	
Rated Output (HP)	7.5	Full Load Torque	11.2 LB-FT
Volts	575	Start Configuration	direct on line
Full Load Amps	7.2	Breakdown Torque	39.4 LB-FT
R.P.M.	3510	Pull-up Torque	20.8 LB-FT
Hz	60 Phase	Locked-rotor Torque	23.9 LB-FT
NEMA Design Code	B KVA Code	Starting Current	49.7 A
Service Factor (S.F.)	1	No-load Current	2.94 A
NEMA Nom. Eff.	89.5 Power Factor	Line-line Res. @ 25°C	1.86 Ω
Rating - Duty	40C AMB-CONT	Temp. Rise @ Rated Load	44°C
		Locked-rotor Power Factor	34.1
		Rotor inertia	0.237 LB-FT <sup>2</sup>

**Load Characteristics 575 V, 60 Hz, 7.5 HP**

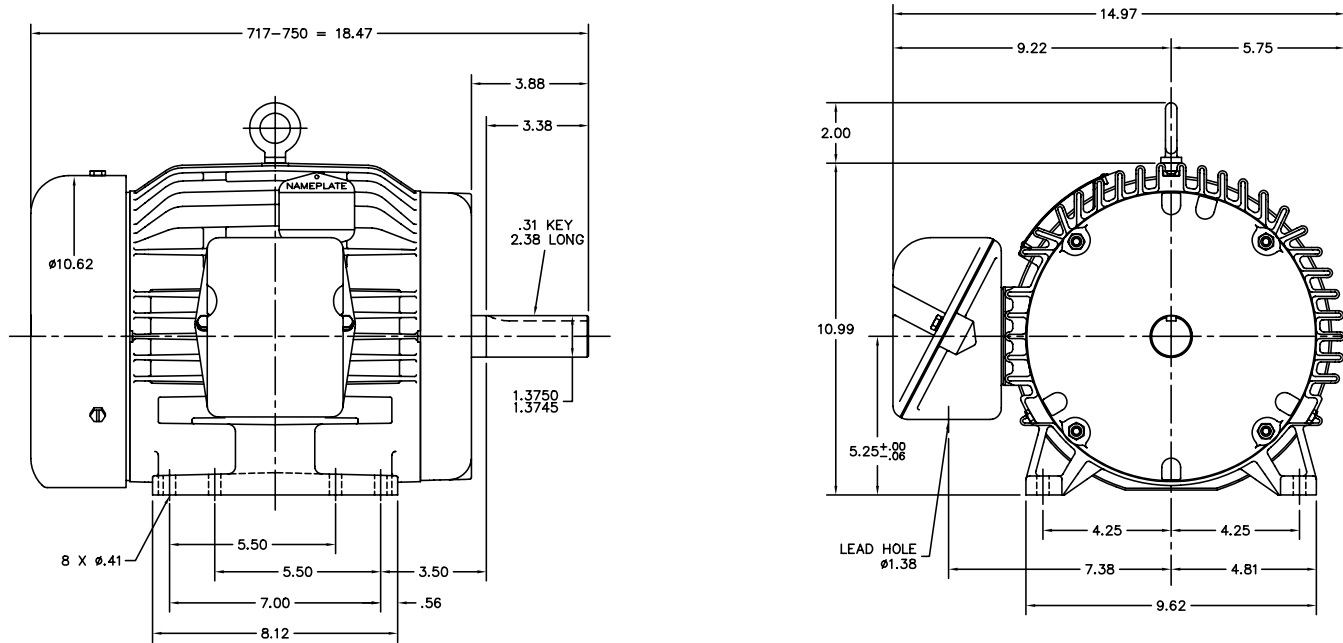
% of Rated Load	25	50	75	100	125	150
Power Factor	50	73	81	86	89	89
Efficiency	83.6	89.2	90.3	90.7	89.4	88.2
Speed	3581	3560	3537	3514	3487	3458
Line amperes	3.33	4.33	5.71	7.18	8.78	10.7

Performance Graph at 575V, 60Hz, 7.5HP Typical performance - Not guaranteed values





07LYJ065



CUST. NAME	CUST. P.O.	CERTIFIED BY	MODEL	INSUL	AMB	
H.P.	MTG	TYPE	R.P.M.	VOLTS	ENCL PHASE FREQ FRAME	
REV. DESC: NEW			<b>BALDOR ELECTRIC Co.</b>			
REV. LTR: -	BY: JED	REVISED: 08/31/99 11:46				TDR: 0189327
FILE: AAA00067881						MDL: -
MTL: -						
HORZ 213-5T TEFC 307M W/SEALED BRGS						

07LYJ065

CD0006



NOTES:

1. THREE LEAD MOTOR MAY BE EITHER WYE CONNECTED OR DELTA CONNECTED.
2. INTERCHANGE ANY TWO LINE LEADS TO REVERSE ROTATION.
3. OPTIONAL THERMOSTATS ARE PROVIDED WHEN SPECIFIED.
4. ACTUAL NUMBER OF INTERNAL PARALLEL CIRCUITS MAY VARY.
5. LEAD COLORS ARE OPTIONAL. LEADS MUST BE NUMBERED AS SHOWN.

CD0006

REV. DESC: ADD CLASS CONN00000007		
REV. LTR: E	VERSION: 01	TDR: 000001099922
FILE: \AAA\00005\141	REVISED: 10:24:49 02/19/2019	BY: ENBRIRO
MTL: -	© □	

**BALDOR - RELIANCE®**

3PH, SV, 3 LEADS, WYE OR DELTA CONNECTED

SH 1 of 1

Marketing maintained PDF of MN416:

<http://www.baldor.com/support/Literature/Load.ashx/MN416?ManNumber=MN416>