

BALDOR® • RELIANCE 

Product Information Packet

XT3072T

7.5HP,3500RPM,3PH,60HZ,213T,0732M,TEFC,F

Part Detail							
Revision:	B	Status:	PRD/A	Change #:		Proprietary:	No
Type:	AC	Elec. Spec:	07WGY010	CD Diagram:	CD0005	Mfg Plant:	
Mech. Spec:		Layout:	07LYJ065	Poles:	02	Created Date:	12-02-2020
Base:		Eff. Date:	04-13-2021	Leads:	9#14		

Specs			
Catalog Number:	XT3072T	Electrically Isolated Bearing:	Not Electrically Isolated
Enclosure:	TEFC	Feedback Device:	NO FEEDBACK
Frame:	213T	Heater Indicator:	No Heater
Frame Material:	Iron	Insulation Class:	F
Output @ Frequency:	7.500 HP @ 60 HZ	Inverter Code:	Inverter Duty
Synchronous Speed @ Frequency:	3600 RPM @ 60 HZ	IP Rating:	NONE
Voltage @ Frequency:	460.0 V @ 60 HZ	KVA Code:	H
	230.0 V @ 60 HZ	Lifting Lugs:	Standard Lifting Lugs
	208.0 V @ 60 HZ	Locked Bearing Indicator:	No Locked Bearing
XP Class and Group:	CLI GP A,B,C,D	Motor Lead Termination:	Flying Leads
XP Division:	Division II	Motor Type:	0732M
Agency Approvals:	CCSA US	Mounting Arrangement:	F1
	CSA EEV	Power Factor:	88
	NEMA PREMIUM	Product Family:	General Purpose
	UR	Pulley Face Code:	Standard
Auxillary Box:	No Auxillary Box	Rodent Screen:	None
Auxillary Box Lead Termination:	None	Shaft Ground Indicator:	No Shaft Grounding
Base Indicator:	Rigid	Shaft Rotation:	Reversible

Bearing Grease Type:	Polyrex EM (-20F +300F)	Speed Code:	Single Speed
Blower:	None	Motor Standards:	NEMA
Constant Torque Speed Range:	6	Starting Method:	Direct on line
Current @ Voltage:	8.600 A @ 460.0 V	Thermal Device - Bearing:	None
	18.600 A @ 208.0 V	Thermal Device - Winding:	None
	17.200 A @ 230.0 V	Vibration Sensor Indicator:	No Vibration Sensor
Design Code:	B	Winding Thermal 1:	None
Drip Cover:	No Drip Cover	Winding Thermal 2:	None
Duty Rating:	CONT	XP Temp Code:	T3C

Nameplate NP4163L											
CAT.NO.	XT3072T						I.P.	54			
SPEC.	07-0000-0927						ENCL	TEFC			
FRAME	213T				H.P.	7.5					
VOLTS	208-230/460				P.F.	88					
F.L. AMPS	18.6-17.2/8.6				RATING	40C AMB-CONT					
R.P.M.	3500				USABLE AT 208V						
HZ.	60				PH.	3		CLASS	F		
SER.F.	1.15				DES.	B		SL HZ	1.5		
NEMA NOM. EFF.	91				WKT	0.292		ODE	6206		
DE	6307				TO	90		T. CODE	T3C		
MAG. CUR.	5.6/2.8				CT	6		TO	60		
INV TYPE	PWM		CHP 60		VT	6		TO	60		
CC	010A		SN								
USABLE AT 50 HZ 5HP 190/380V											
14.4/7.2A											

Parts List		
Part Number	Description	Quantity
SA388548	SA 07-0000-0927	1.000 EA
RA378913	RA 07-0000-0927	1.000 EA
LB1115N	LABEL,LIFTING DEVICE (ON ROLLS)	1.000 EA
LC0005E01	CONN.DIA./WARNING LABEL (LC0005/LB1119N)	1.000 EA
LB1449	DIV-2/NEC WARNING LABEL	1.000 EA
NP4163L	SS CP INV DIV-2 UL CSA-C US EEV PREM, DI	1.000 EA
85XU0407S04	4X1/4 U DRIVE PIN STAINLESS	2.000 EA
MN416A01	TAG-INSTAL-MAINT no wire (2100/bx) 4/22	1.000 EA
HW3201A05	3/8-16 EYEBOLT	1.000 EA
07FH4007A07	IEC FH NO GRSSR, NOTCH @ 6:00 & 3 F/C HOL	1.000 EA
51XW1032A06	10-32 X .38, TAPTITE II, HEX WSHR SLTD S	3.000 EA
36FN3000C02SP	EXFN, PLASTIC, 5.25 OD, 1.175 ID	1.000 EA
51XB1214A16	12-14X1.00 HXWSSLD SERTYB	1.000 EA
MJ1000A02	GREASE, MOBIL POLYREX EM - 124047	0.050 LB
HA3104A32	THRUBOLT- 5/16-18 X12.750	4.000 EA
XY3118A12	5/16-18 HEX NUT DIRECTIONAL SERRATION	4.000 EA
37EP3101A04	FR ENDPLATE, MACH	1.000 EA
HW4600B36SP	V-RING SLINGER 1.188 X 1.690 X .24 VITON	1.000 EA
HW5100A06	W2420-025 WVY WSHR (WB)	1.000 EA
HA4067A01	PUSH IN DRAIN FITTING (BLACK)	1.000 EA
37EP3100A02	PU ENDPLATE, MACH	1.000 EA
HW4600C51	31X39X7.5MM FACE SEAL FOR 1.375 DIA. SH	1.000 EA
HA4067A01	PUSH IN DRAIN FITTING (BLACK)	1.000 EA
09CB3002SP	CB W/1.38 LEAD HOLE FOR 37, 39, 307 & 30	1.000 EA

Parts List (continued)		
Part Number	Description	Quantity
09GS1000SP	GASKET-CONDUIT BOX, 1/16 THICK LEXIDE	1.000 EA
51XW2520A12	.25-20 X .75, TAPTITE II, HEX WSHR SLTD	2.000 EA
WD1000B16	T&B CX70TN OR L70P TERMINAL LUG	1.000 EA
59XW2520G07	.25-20X.44,HEX SER WSHR,TAPTITE 2,GREEN	1.000 EA
09CB3501SP	CONDUIT BOX LID FOR 09CB3001 & 09CB3002	1.000 EA
09GS1013SP	GS FOR 09CB3501, 12CB1500 & 12CB1503 LID	1.000 EA
51XW2520A12	.25-20 X .75, TAPTITE II, HEX WSHR SLTD	2.000 EA
MG1025L14	WILKOFAS, 776.14, GRUNDFOS BLACK	0.125 GA
07PA1011	PKG GRP, 07 CAST IRON PK1181	1.000 EA
10XL3808A28	3/8 X 1 3/4" LAG SCREW	2.000 EA
HW2501F21	KEY, 5/16 SQ X 2.375	1.000 EA
HA7000A02	KEY RETAINER RING, 1 1/8 DIA, 1 3/8 DIA	1.000 EA
FE-0000001	ZRTG FE ASSEMBLY	1.000 EA

AC Induction Motor Performance Data

Record # 63748

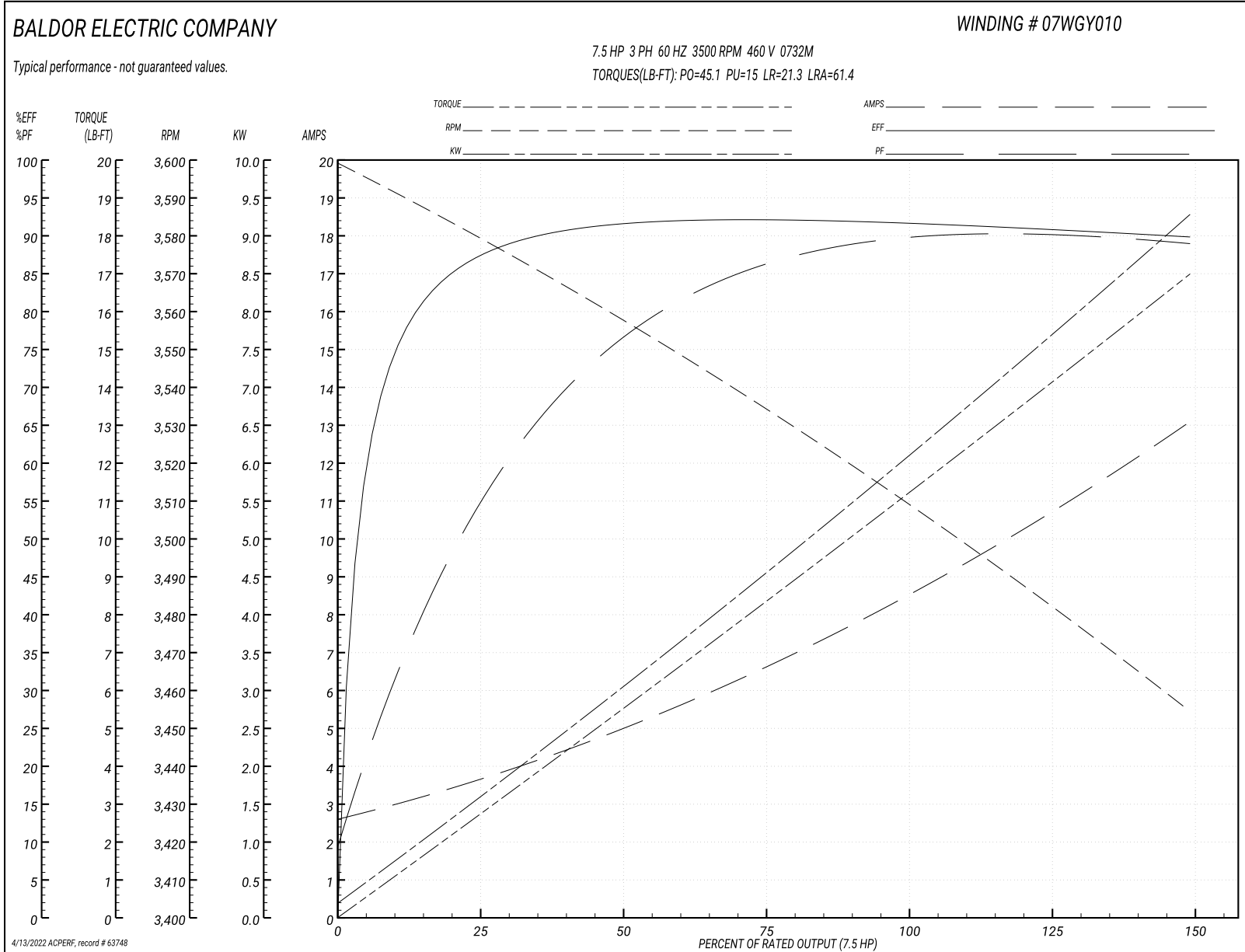
Typical performance - not guaranteed values

Winding: 07WGY010-R026			Type: 0732M			Enclosure: TEFC		
Nameplate Data				460 V, 60 Hz: High Voltage Connection				
Rated Output (HP)	7.5		Full Load Torque	11.1 LB-FT				
Volts	208-230/460		Start Configuration	direct on line				
Full Load Amps	18.6-17.2/8.6		Breakdown Torque	45.1 LB-FT				
R.P.M.	3500		Pull-up Torque	15 LB-FT				
Hz	60	Phase	3	Locked-rotor Torque	21.3 LB-FT			
NEMA Design Code	B	KVA Code	H	Starting Current	61.4 A			
Service Factor (S.F.)	1.15		No-load Current	2.75 A				
NEMA Nom. Eff.	91	Power Factor	88	Line-line Res. @ 25°C	1.14 Ω			
Rating - Duty	40C AMB-CONT		Temp. Rise @ Rated Load	41°C				
S.F. Amps			Temp. Rise @ S.F. Load	51°C				
			Locked-rotor Power Factor	31.7				
			Rotor inertia	0.292 LB-FT ²				

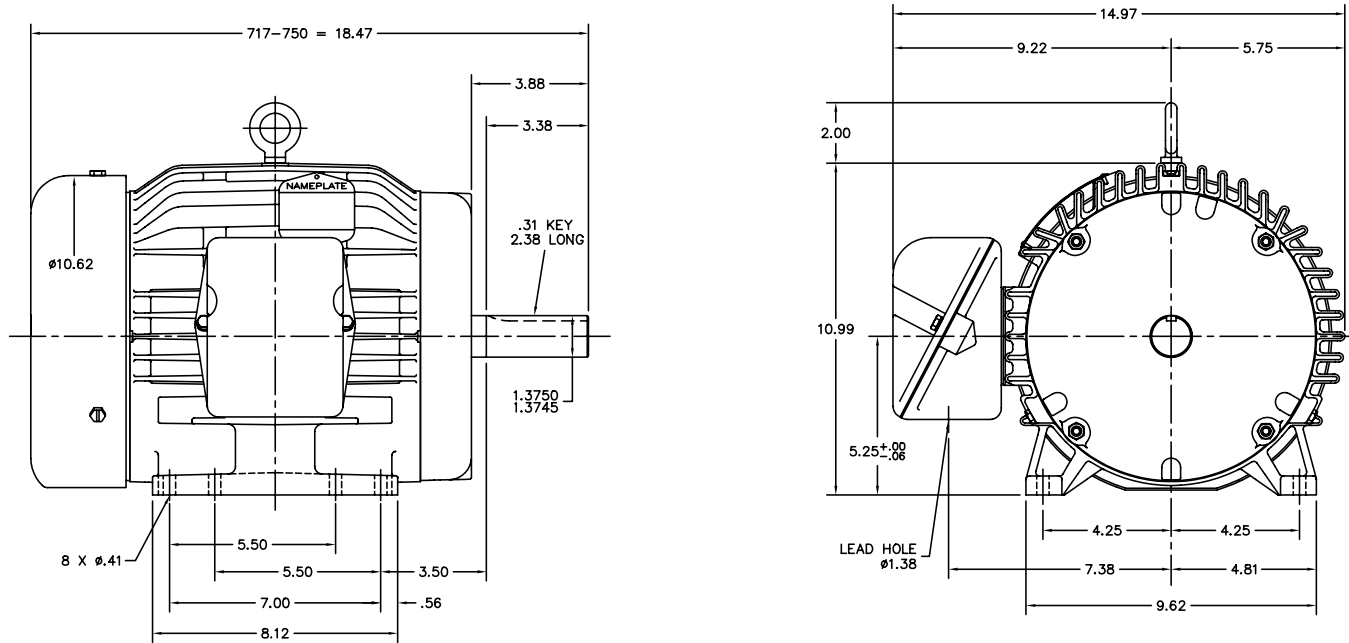
Load Characteristics 460 V, 60 Hz, 7.5 HP

% of Rated Load	25	50	75	100	125	150	S.F.
Power Factor	57	78	85	89	89	90	89
Efficiency	86.7	91.2	92.2	91.8	90.9	89.8	91.3
Speed	3579	3558	3536	3510	3484	3454	3494
Line amperes	3.42	4.86	6.63	8.52	10.7	13	9.83

Performance Graph at 460V, 60Hz, 7.5HP Typical performance - Not guaranteed values



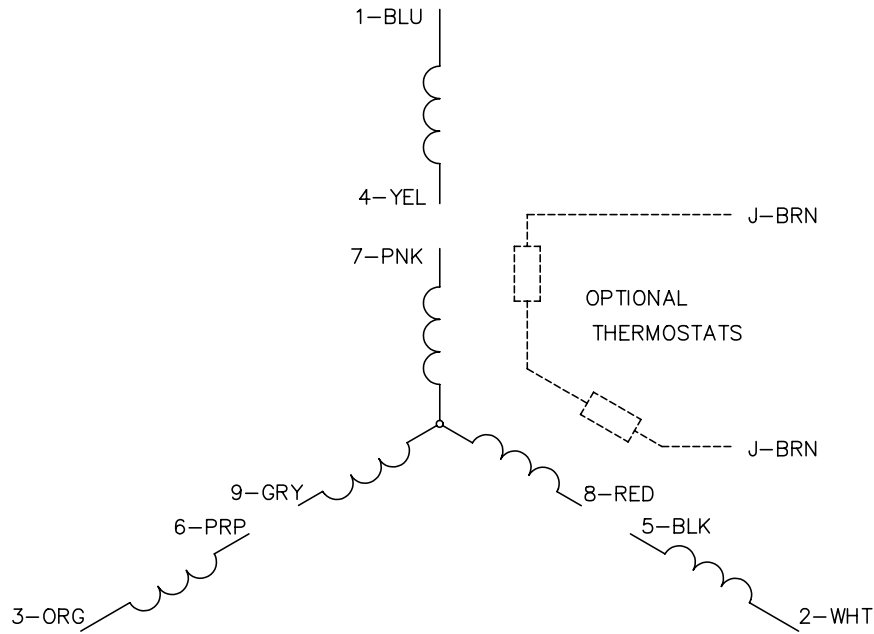
07LYJ065



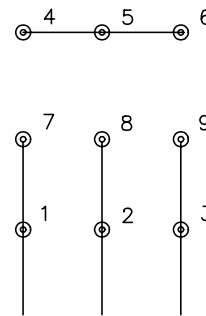
CUST. NAME	CUST. P.O.	CERTIFIED BY	MODEL	INSUL	AMB	
H.P.	MTG	TYPE	R.P.M.	VOLTS	ENCL PHASE FREQ FRAME	
REV. DESC: NEW			BALDOR ELECTRIC Co.			
REV. LTR: -	BY: JED	REVISED: 08/31/99 11:46				TDR: 0189327
FILE: AAA00067881						MDL: -
MTL: -						
HORZ 213-5T TEFC 307M W/SEALED BRGS						

07LYJ065

CD0005

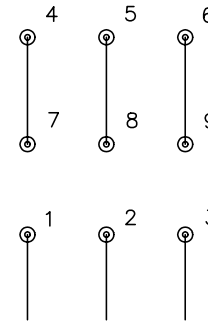


LOW VOLTAGE
(2Y)



LINE

HIGH VOLTAGE
(1Y)



LINE

NOTES:

1. INTERCHANGE ANY TWO LINE LEADS TO REVERSE ROTATION.
2. OPTIONAL THERMOSTATS ARE PROVIDED WHEN SPECIFIED.
3. ACTUAL NUMBER OF INTERNAL PARALLEL CIRCUITS MAY BE A MULTIPLE OF THOSE SHOWN ABOVE.
4. LEAD COLORS ARE OPTIONAL. LEADS MUST ALWAYS BE NUMBERED AS SHOWN.

REV. DESC: REVISE TO SHOW OPTIONAL COLORS			
REV. LTR: E	BY: JLP	REVISED: 01/19/99 10:15	TDR: 0171435
9000D		FILE: AAA00005140	MDL: -
		MTL: -	

BALDOR ELECTRIC Co.

3PH, DV, 9 LEADS

CD0005

Marketing maintained PDF of MN416:

<http://www.baldor.com/support/Literature/Load.ashx/MN416?ManNumber=MN416>