

BALDOR® • RELIANCE 

Product Information Packet

XT3074T-5

7.5HP,1760RPM,3PH,60HZ,213T,0748M,TEFC,F

| Part Detail | | | | | | | |
|-------------|----|-------------|------------|-------------|--------|---------------|------------|
| Revision: | - | Status: | PRD/A | Change #: | | Proprietary: | No |
| Type: | AC | Elec. Spec: | 07WGR900 | CD Diagram: | CD0006 | Mfg Plant: | |
| Mech. Spec: | | Layout: | 07LYJ065 | Poles: | 04 | Created Date: | 07-21-2021 |
| Base: | | Eff. Date: | 07-26-2021 | Leads: | 3#14 | | |

| Specs | | | |
|---------------------------------|-------------------------|---------------------------|-----------------------|
| Catalog Number: | XT3074T-5 | Heater Indicator: | No Heater |
| Enclosure: | TEFC | Insulation Class: | F |
| Frame: | 213T | Inverter Code: | Inverter Duty |
| Frame Material: | Iron | IP Rating: | NONE |
| Output @ Frequency: | 7.500 HP @ 60 HZ | KVA Code: | K |
| Synchronous Speed @ Frequency: | 1800 RPM @ 60 HZ | Lifting Lugs: | Standard Lifting Lugs |
| Voltage @ Frequency: | 575.0 V @ 60 HZ | Locked Bearing Indicator: | No Locked Bearing |
| XP Class and Group: | CLI GP A,B,C,D | Motor Lead Termination: | Flying Leads |
| XP Division: | Division II | Motor Type: | 0748M |
| Agency Approvals: | CCSA US | Mounting Arrangement: | F1 |
| | CSA EEV | Power Factor: | 85 |
| | NEMA PREMIUM | Product Family: | General Purpose |
| | UR | Pulley Face Code: | Standard |
| Auxillary Box: | No Auxillary Box | Rodent Screen: | None |
| Auxillary Box Lead Termination: | None | Shaft Ground Indicator: | No Shaft Grounding |
| Base Indicator: | Rigid | Shaft Rotation: | Reversible |
| Bearing Grease Type: | Polyrex EM (-20F +300F) | Speed Code: | Single Speed |
| Blower: | None | Motor Standards: | NEMA |

| | | | |
|---------------------------------------|---------------------------|------------------------------------|---------------------|
| Constant Torque Speed Range: | 3 | Starting Method: | Direct on line |
| Current @ Voltage: | 7.400 A @ 575.0 V | Thermal Device - Bearing: | None |
| Design Code: | A | Thermal Device - Winding: | None |
| Drip Cover: | No Drip Cover | Vibration Sensor Indicator: | No Vibration Sensor |
| Duty Rating: | CONT | Winding Thermal 1: | None |
| Electrically Isolated Bearing: | Not Electrically Isolated | Winding Thermal 2: | None |
| Feedback Device: | NO FEEDBACK | XP Temp Code: | T3C |

| Nameplate NP4224L | | | | | | | | | | | | | | |
|-------------------|--------------|--------|--|----------------|------|--------------|-------|---------|---------------|--|--|-----|----|--|
| CAT.NO. | XT3074T-5 | | | | | | I.P. | 54 | | | | | | |
| SPEC. | 07-0000-1111 | | | | | | ENCL. | TEFC | | | | | | |
| FRAME | 213T | | | H.P. | 7.5 | | | T. CODE | T3C | | | | | |
| VOLTS | 575 | | | P.F. | 85 | | | | | | | | | |
| F.L. AMPS | 7.4 | | | RATING | | 40C AMB-CONT | | | | | | | | |
| R.P.M. | 1760 | | | USABLE AT 208V | | | | | | | | | | |
| HZ. | 60 | | | PH. | 3 | | | CLASS | F | | | | | |
| SER.F. | 1.15 | | | DES. | A | | | SL HZ | 1.3 | | | | | |
| NEMA NOM. EFF. | 91.7 | | | WV2 | 1.18 | | | | | | | | | |
| DE | 6307 | | | ODE | 6206 | | | | | | | | | |
| MAG. CUR. | 3.2 | | | | | | | | | | | | | |
| INV TYPE | PWM | CHP 60 | | | TO | 90 | | | INV TEMP CODE | | | T3C | | |
| CT | 3 | | | TO | 60 | | | VT | 3 | | | TO | 60 | |
| CC | 010A | | | SN | | | | | | | | | | |
| | | | | | | | | | | | | | | |
| | | | | | | | | | | | | | | |

| Parts List | | |
|---------------|---|----------|
| Part Number | Description | Quantity |
| SA395677 | SA 07-0000-1111 | 1.000 EA |
| RA386432 | RA 07-0000-1111 | 1.000 EA |
| LB1115N | LABEL,LIFTING DEVICE (ON ROLLS) | 1.000 EA |
| LB1119N | WARNING LABEL | 1.000 EA |
| LC0006 | CONNECTION LABEL | 1.000 EA |
| LB1449 | DIV-2/NEC WARNING LABEL | 1.000 EA |
| NP4224L | SS CP INV DIV-2 UL CSA-C US EEV PREM, DI | 1.000 EA |
| 85XU0407S04 | 4X1/4 U DRIVE PIN STAINLESS | 2.000 EA |
| MN416A01 | TAG-INSTAL-MAINT no wire (2100/bx) 4/22 | 1.000 EA |
| HW3201A05 | 3/8-16 EYEBOLT | 1.000 EA |
| 07FH4007A07 | IEC FH NO GRSSR, NOTCH @ 6:00 & 3 F/C HOL | 1.000 EA |
| 51XW1032A06 | 10-32 X .38, TAPTITE II, HEX WSHR SLTD S | 3.000 EA |
| 37FN3002A01SP | EXFN, PLASTIC, 9.00 OD, 1.155 ID | 1.000 EA |
| 51XB1214A20 | 12-14X1.25 HXWSSLD SERTYB | 1.000 EA |
| MJ1000A02 | GREASE, MOBIL POLYREX EM - 124047 | 0.050 LB |
| HA3104A32 | THRUBOLT- 5/16-18 X12.750 | 4.000 EA |
| XY3118A12 | 5/16-18 HEX NUT DIRECTIONAL SERRATION | 4.000 EA |
| 37EP3101A04 | FR ENDPLATE, MACH | 1.000 EA |
| HW4600B36SP | V-RING SLINGER 1.188 X 1.690 X .24 VITON | 1.000 EA |
| HW5100A06 | W2420-025 WVY WSHR (WB) | 1.000 EA |
| HW4500A01 | 1641B(ALEMITE)400 UNIV, GREASE FITT | 1.000 EA |
| HA4067A01 | PUSH IN DRAIN FITTING (BLACK) | 1.000 EA |
| 37EP3100A02 | PU ENDPLATE, MACH | 1.000 EA |
| HW4600C51 | 31X39X7.5MM FACE SEAL FOR 1.375 DIA. SH | 1.000 EA |

| Parts List (continued) | | |
|------------------------|--|----------|
| Part Number | Description | Quantity |
| HA4067A01 | PUSH IN DRAIN FITTING (BLACK) | 1.000 EA |
| 09CB3002SP | CB W/1.38 LEAD HOLE FOR 37, 39, 307 & 30 | 1.000 EA |
| 09GS1000SP | GASKET-CONDUIT BOX, 1/16 THICK LEXIDE | 1.000 EA |
| 51XW2520A12 | .25-20 X .75, TAPTITE II, HEX WSHR SLTD | 2.000 EA |
| WD1000B16 | T&B CX70TN OR L70P TERMINAL LUG | 1.000 EA |
| 59XW2520G07 | .25-20X.44,HEX SER WSHR,TAPTITE 2,GREEN | 1.000 EA |
| 09CB3501SP | CONDUIT BOX LID FOR 09CB3001 & 09CB3002 | 1.000 EA |
| 09GS1013SP | GS FOR 09CB3501, 12CB1500 & 12CB1503 LID | 1.000 EA |
| 51XW2520A12 | .25-20 X .75, TAPTITE II, HEX WSHR SLTD | 2.000 EA |
| MG1025L14 | WILKOFASST, 776.14, GRUNDFOS BLACK | 0.125 GA |
| 07PA1011 | PKG GRP, 07 CAST IRON PK1181 | 1.000 EA |
| 10XL3808A28 | 3/8 X 1 3/4" LAG SCREW | 2.000 EA |
| HW2501F21 | KEY, 5/16 SQ X 2.375 | 1.000 EA |
| HA7000A02 | KEY RETAINER RING, 1 1/8 DIA, 1 3/8 DIA | 1.000 EA |
| FE-0000001 | ZRTG FE ASSEMBLY | 1.000 EA |

AC Induction Motor Performance Data

Record # 88602

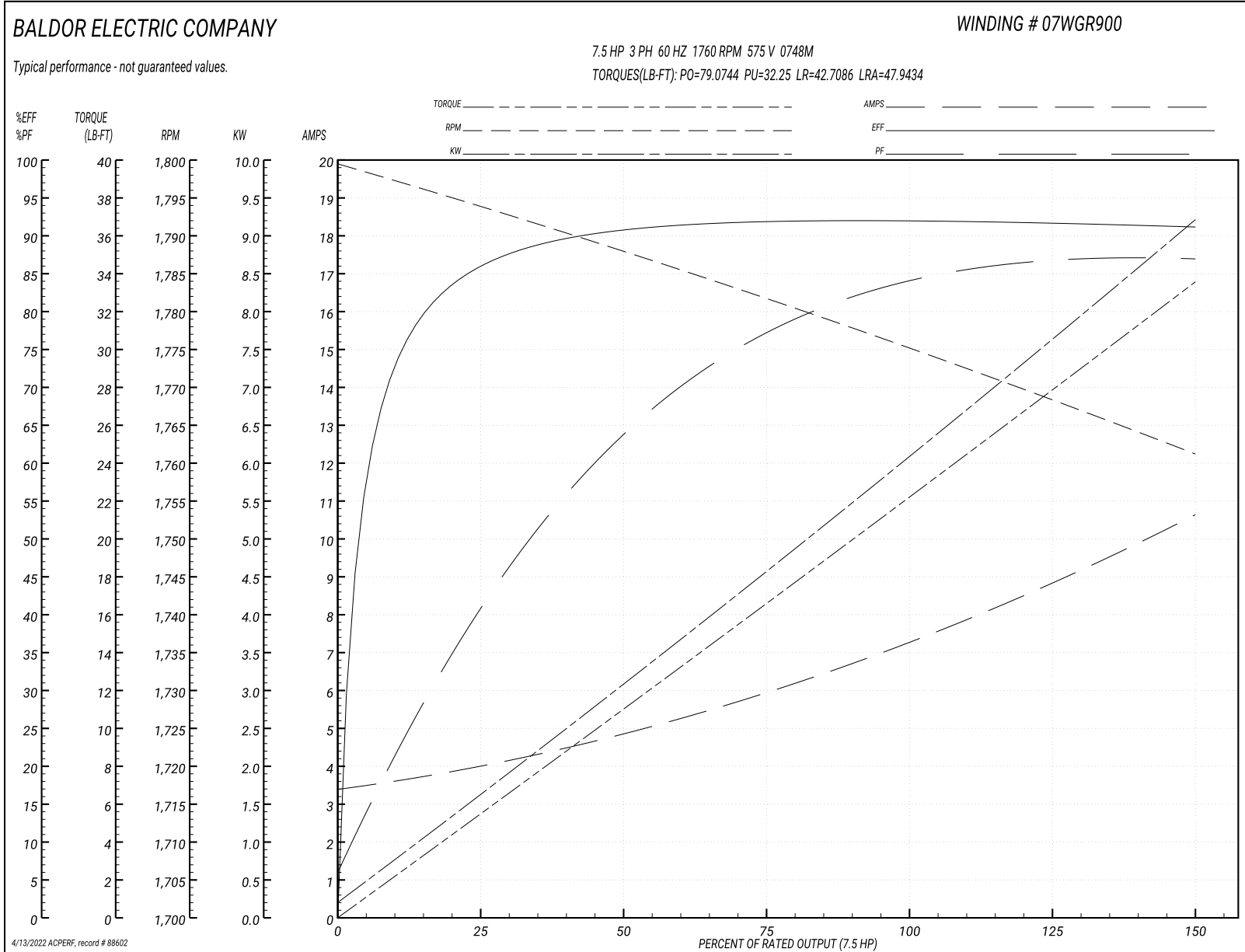
Typical performance - not guaranteed values

| Winding: 07WGR900-R001 | | | Type: 0748M | | Enclosure: TEFC | |
|------------------------------|--------------------------|----|----------------------------------|---|-----------------|--|
| Nameplate Data | | | | 575 V, 60 Hz: Single Voltage Motor | | |
| Rated Output (HP) | 7.5 | | Full Load Torque | 22.2079 LB-FT | | |
| Volts | 575 | | Start Configuration | direct on line | | |
| Full Load Amps | 7.4 | | Breakdown Torque | 79.0744 LB-FT | | |
| R.P.M. | 1760 | | Pull-up Torque | 32.25 LB-FT | | |
| Hz | 60 Phase | 3 | Locked-rotor Torque | 42.7086 LB-FT | | |
| NEMA Design Code | A KVA Code | K | Starting Current | 47.9434 A | | |
| Service Factor (S.F.) | 1.25 | | No-load Current | 3.5002 A | | |
| NEMA Nom. Eff. | 91.7 Power Factor | 85 | Line-line Res. @ 25°C | 2.03 Ω | | |
| Rating - Duty | 40C AMB-CONT | | Temp. Rise @ Rated Load | 25°C | | |
| S.F. Amps | 8.9 | | Temp. Rise @ S.F. Load | 33°C | | |
| | | | Locked-rotor Power Factor | 38.184 | | |
| | | | Rotor inertia | 1.18 lb-ft ² | | |

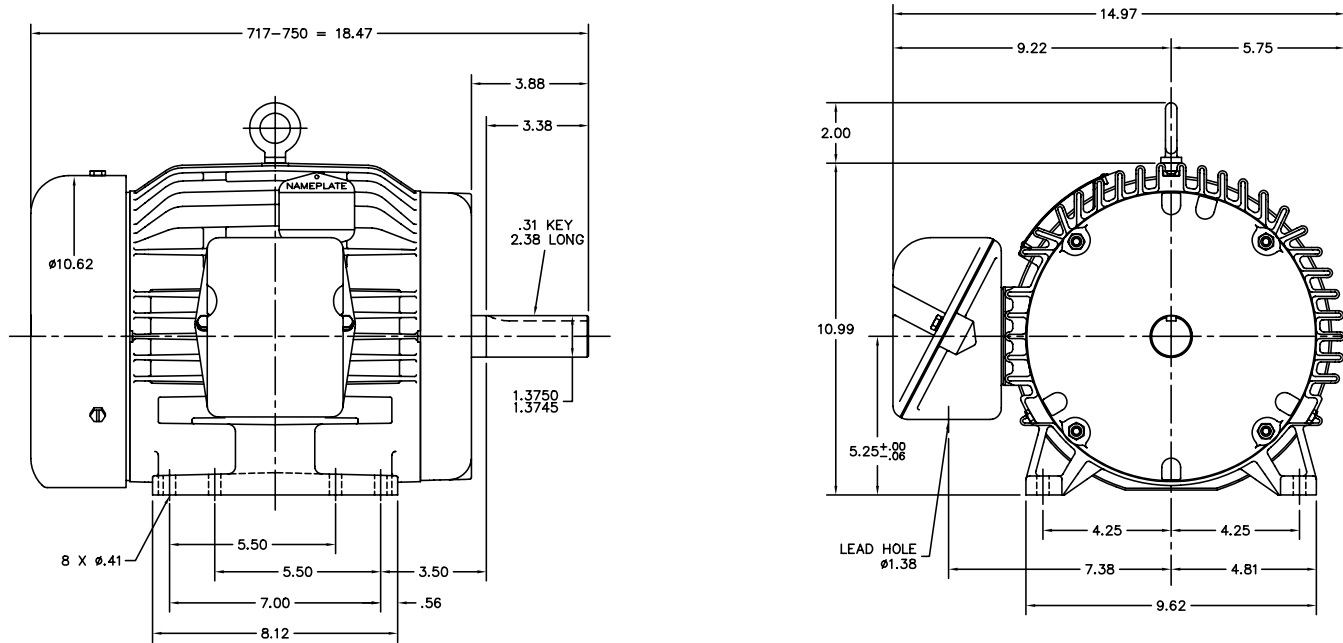
Load Characteristics 575 V, 60 Hz, 7.5 HP

| % of Rated Load | 25 | 50 | 75 | 100 | 125 | 150 | S.F. |
|------------------------|-----------|-----------|-----------|------------|------------|------------|-------------|
| Power Factor | 42.346 | 65.1467 | 76.9855 | 82.9232 | 86.0707 | 87.6743 | 86 |
| Efficiency | 85.8706 | 90.6778 | 91.8518 | 91.9941 | 91.6851 | 91.1125 | 91.7 |
| Speed | 1793.799 | 1787.859 | 1781.649 | 1775.259 | 1768.419 | 1761.129 | 1768 |
| Line amperes | 3.8767 | 4.7686 | 5.9848 | 7.3694 | 8.9069 | 10.5552 | 8.91 |

Performance Graph at 575V, 60Hz, 7.5HP Typical performance - Not guaranteed values



07LYJ065



| | | | | | | |
|-------------------------------------|------------|-------------------------|----------------------------|-------|-----------------------|--------------|
| CUST. NAME | CUST. P.O. | CERTIFIED BY | MODEL | INSUL | AMB | |
| H.P. | MTG | TYPE | R.P.M. | VOLTS | ENCL PHASE FREQ FRAME | |
| REV. DESC: NEW | | | BALDOR ELECTRIC Co. | | | |
| REV. LTR: - | BY: JED | REVISED: 08/31/99 11:46 | | | | TDR: 0189327 |
| FILE: AAA00067881 | | | | | | MDL: - |
| MTL: - | | | | | | |
| HORZ 213-5T TEFC 307M W/SEALED BRGS | | | | | | |

07LYJ065

CD0006



NOTES:

1. THREE LEAD MOTOR MAY BE EITHER WYE CONNECTED OR DELTA CONNECTED.
2. INTERCHANGE ANY TWO LINE LEADS TO REVERSE ROTATION.
3. OPTIONAL THERMOSTATS ARE PROVIDED WHEN SPECIFIED.
4. ACTUAL NUMBER OF INTERNAL PARALLEL CIRCUITS MAY VARY.
5. LEAD COLORS ARE OPTIONAL. LEADS MUST BE NUMBERED AS SHOWN.

CD0006

| | | |
|-----------------------------------|------------------------------|-------------------|
| REV. DESC: ADD CLASS CONN00000007 | | |
| REV. LTR: E | VERSION: 01 | TDR: 000001099922 |
| FILE: \AAA\00005\141 | REVISED: 10:24:49 02/19/2019 | BY: ENBRIRO |
| MTL: - | © □ | |

BALDOR - RELIANCE®

3PH, SV, 3 LEADS, WYE OR DELTA CONNECTED

SH 1 of 1

Marketing maintained PDF of MN416:

<http://www.baldor.com/support/Literature/Load.ashx/MN416?ManNumber=MN416>