

BALDOR® • RELIANCE 

Product Information Packet

XT3076T-5

7.5HP, 1180RPM, 3PH, 60HZ, 254T, TEFC, F1

Part Detail							
Revision:	C	Status:	PRD/A	Change #:		Proprietary:	No
Type:	AC	Elec. Spec:	09WGZ844	CD Diagram:	CD0006	Mfg Plant:	
Mech. Spec:		Layout:	09LY-001-224	Poles:	06	Created Date:	07-26-2021
Base:		Eff. Date:	02-28-2022	Leads:	3#12		

Specs			
Catalog Number:	XT3076T-5	Heater Indicator:	No Heater
Enclosure:	TEFC	Insulation Class:	F
Frame:	254T	Inverter Code:	Inverter Duty
Frame Material:	Iron	IP Rating:	NONE
Output @ Frequency:	7.500 HP @ 60 HZ	KVA Code:	H
Synchronous Speed @ Frequency:	1200 RPM @ 60 HZ	Lifting Lugs:	Standard Lifting Lugs
Voltage @ Frequency:	575.0 V @ 60 HZ	Locked Bearing Indicator:	Locked Bearing
XP Class and Group:	CLI GP A,B,C,D	Motor Lead Termination:	Flying Leads
XP Division:	Division II	Motor Type:	0954M
Agency Approvals:	CCSA US	Mounting Arrangement:	F1
	CSA EEV	Power Factor:	71
	NEMA PREMIUM	Product Family:	General Purpose
	UR	Pulley Face Code:	Standard
Auxillary Box:	No Auxillary Box	Rodent Screen:	None
Auxillary Box Lead Termination:	None	Shaft Ground Indicator:	No Shaft Grounding
Base Indicator:	Rigid	Shaft Rotation:	Reversible
Bearing Grease Type:	Polyrex EM (-20F +300F)	Speed Code:	Single Speed
Blower:	None	Motor Standards:	NEMA

Constant Torque Speed Range:	3	Starting Method:	Direct on line
Current @ Voltage:	8.400 A @ 575.0 V	Thermal Device - Bearing:	None
Design Code:	B	Thermal Device - Winding:	None
Drip Cover:	No Drip Cover	Vibration Sensor Indicator:	No Vibration Sensor
Duty Rating:	CONT	Winding Thermal 1:	None
Electrically Isolated Bearing:	Not Electrically Isolated	Winding Thermal 2:	None
Feedback Device:	NO FEEDBACK	XP Temp Code:	T3C

Nameplate NP4224L							
CAT.NO.	XT3076T-5	I.P.	54				
SPEC.	09-0000-3316	ENCL.	TEFC				
FRAME	254T	H.P.	7.5	T. CODE	T3C		
VOLTS	575	P.F.	71				
F.L. AMPS	8.4	RATING	40C AMB-CONT				
R.P.M.	1180	USABLE AT 208V					
HZ.	60	PH.	3	CLASS	F		
SER.F.	1.15	DES.	B	SL HZ	1		
NEMA NOM. EFF.	91	WK2	4.34				
DE	6309	ODE	6208				
MAG. CUR.	4.3						
INV TYPE	PWM	CHP	60	TO	90	INV TEMP CODE	T3C
CT	3	TO	60	VT	3	TO	60
CC	010A	SN					

Parts List		
Part Number	Description	Quantity
SA395762	SA 09-0000-3316	1.000 EA
RA386516	RA 09-0000-3316	1.000 EA
LB1115N	LABEL,LIFTING DEVICE (ON ROLLS)	1.000 EA
LB1119N	WARNING LABEL	1.000 EA
LC0006	CONNECTION LABEL	1.000 EA
LB1449	DIV-2/NEC WARNING LABEL	1.000 EA
NP4224L	SS CP INV DIV-2 UL CSA-C US EEV PREM, DI	1.000 EA
85XU0407S04	4X1/4 U DRIVE PIN STAINLESS	2.000 EA
MN416A01	TAG-INSTAL-MAINT no wire (2100/bx) 4/22	1.000 EA
HW3201A01	1/2-13 EYEBOLT	1.000 EA
HW1002A63	WASHER, 5/8 HI-COLLAR SPRICKWASHER	1.000 EA
09FH4000SP	309 FH - BLACK PRIMER	1.000 EA
HW1001A38	LOCKWASHER 3/8, ZINC PLT .688 OD, .382 I	4.000 EA
XY3816A12	3/8-16 FINISHED NUT	4.000 EA
09FN3001D01SP	EXTERNAL FAN, PLASTIC (COMES W/SCREW FRO	1.000 EA
HW2500A25	WOODRUFF KEY USA #1008 #BLOW CARBON STEE	1.000 EA
MJ1000A02	GREASE, MOBIL POLYREX EM - 124047	0.080 LB
09EP1100A196	ENDPLATE, MACH	1.000 EA
HA3400A33	STUD- 3/8-16 X 4.82 HEX WELKER	4.000 EA
HW1001A38	LOCKWASHER 3/8, ZINC PLT .688 OD, .382 I	4.000 EA
HW5100A08	W3118-035 WVY WSHR (WB)	1.000 EA
HA4066A01	PUSH IN T-DRAIN FITTING (BLACK)	1.000 EA
09EP1101A168	PU ENDPLATE, MACH W/NO GREASER HOLES	1.000 EA
HW1001A38	LOCKWASHER 3/8, ZINC PLT .688 OD, .382 I	4.000 EA

Parts List (continued)		
Part Number	Description	Quantity
10XN3816K28	3/8-16 X 1.75 HEX HD CAP SCREW, GRADE 5	4.000 EA
HW4600B44	V-RING SLINGER 1.500 X 1.810 X .28 VITON	1.000 EA
HW4600B44	V-RING SLINGER 1.500 X 1.810 X .28 VITON	1.000 EA
10XN2520K36	1/4-20 X 2.25" HX HD SCRWGRADE 5, ZINC P	4.000 EA
HW1001A25	LOCKWASHER 1/4, ZINC PLT .493 OD, .255 I	4.000 EA
HA4066A01	PUSH IN T-DRAIN FITTING (BLACK)	1.000 EA
09CB3003	CB W/1.75" DIA LD HL - 37, 39, 307 & 309	1.000 EA
09GS1000SP	GASKET-CONDUIT BOX, 1/16 THICK LEXIDE	1.000 EA
51XW2520A12	.25-20 X .75, TAPTITE II, HEX WSHR SLTD	4.000 EA
WD1000B16	T&B CX70TN OR L70P TERMINAL LUG	1.000 EA
59XW2520G07	.25-20X.44,HEX SER WSHR,TAPTITE 2,GREEN	1.000 EA
09CB3501SP	CONDUIT BOX LID FOR 09CB3001 & 09CB3002	1.000 EA
09GS1013SP	GS FOR 09CB3501, 12CB1500 & 12CB1503 LID	1.000 EA
51XW2520A12	.25-20 X .75, TAPTITE II, HEX WSHR SLTD	2.000 EA
MG1025L14	WILKOFASST, 776.14, GRUNDFOS BLACK	0.070 GA
09PA1000	PACKAGING GROUP COMBINED PRINT	1.000 EA
HW2501G25	KEY, 3/8 SQ X 2.875	1.000 EA

AC Induction Motor Performance Data

Record # 50839

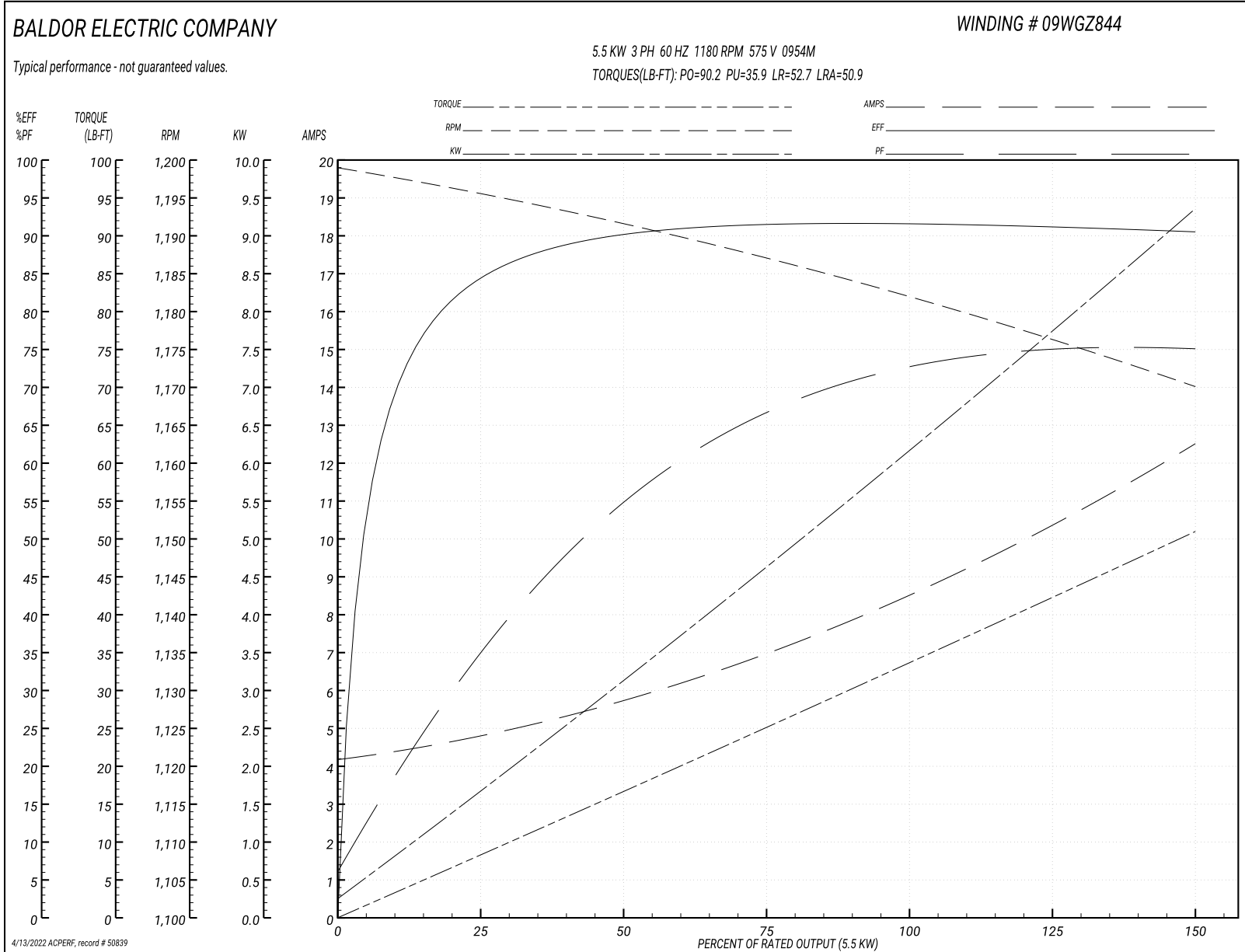
Typical performance - not guaranteed values

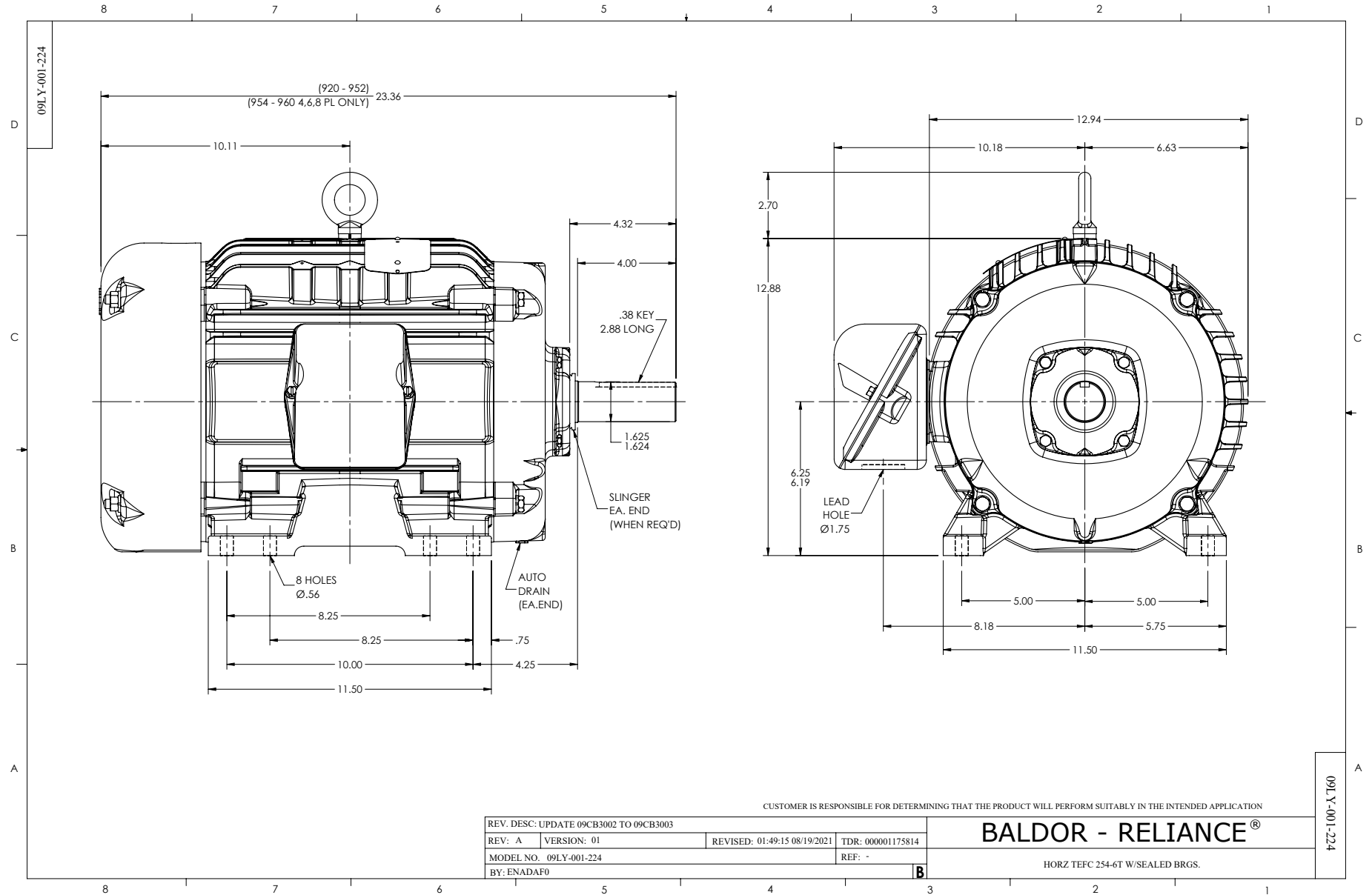
Winding: 09WGZ844-R005		Type: 0954M		Enclosure: TEFC	
Nameplate Data			575 V, 60 Hz: Single Voltage Motor		
Rated Output (KW)	5.5	Full Load Torque	32.4 LB-FT		
Volts	575	Start Configuration	direct on line		
Full Load Amps	8.4	Breakdown Torque	90.2 LB-FT		
R.P.M.	1180	Pull-up Torque	35.9 LB-FT		
Hz	60	Locked-rotor Torque	52.7 LB-FT		
NEMA Design Code	B	Starting Current	50.9 A		
Service Factor (S.F.)	1.15	No-load Current	4.25 A		
NEMA Nom. Eff.	91.7	Line-line Res. @ 25°C	1.6 Ω		
Rating - Duty	40C	Temp. Rise @ Rated Load	32°C		
S.F. Amps	AMB-CONT	Temp. Rise @ S.F. Load	38°C		

Load Characteristics 575 V, 60 Hz, 5.5 KW

% of Rated Load	25	50	75	100	125	150	S.F.
Power Factor	35	55	65	71	75	75	73
Efficiency	83.6	90.3	91.3	91.7	91.6	90.5	91.6
Speed	1196	1191	1188	1183	1177	1170	1179
Line amperes	4.67	5.65	6.81	8.37	10.1	12.5	9.41

Performance Graph at 575V, 60Hz, 5.5KW Typical performance - Not guaranteed values





CD0006



NOTES:

1. THREE LEAD MOTOR MAY BE EITHER WYE CONNECTED OR DELTA CONNECTED.
2. INTERCHANGE ANY TWO LINE LEADS TO REVERSE ROTATION.
3. OPTIONAL THERMOSTATS ARE PROVIDED WHEN SPECIFIED.
4. ACTUAL NUMBER OF INTERNAL PARALLEL CIRCUITS MAY VARY.
5. LEAD COLORS ARE OPTIONAL. LEADS MUST BE NUMBERED AS SHOWN.

CD0006

REV. DESC: ADD CLASS CONN00000007		
REV. LTR: E	VERSION: 01	TDR: 000001099922
FILE: \AAA\00005\141	REVISED: 10:24:49 02/19/2019	BY: ENBRIRO
MTL: -		

BALDOR - RELIANCE®

3PH, SV, 3 LEADS, WYE OR DELTA CONNECTED

SH 1 of 1

Marketing maintained PDF of MN416:

<http://www.baldor.com/support/Literature/Load.ashx/MN416?ManNumber=MN416>