

BALDOR® • RELIANCE 

Product Information Packet

XT3152T-210

15HP,3500RPM,3PH,60HZ,215T,0750M,TEFC,F1

Part Detail							
Revision:	C	Status:	PRD/A	Change #:		Proprietary:	No
Type:	AC	Elec. Spec:	07WGR536	CD Diagram:	CD0005	Mfg Plant:	
Mech. Spec:		Layout:	07LYJ065	Poles:	02	Created Date:	12-02-2020
Base:		Eff. Date:	04-13-2021	Leads:	9#14		

Specs			
Catalog Number:	XT3152T-210	Electrically Isolated Bearing:	Not Electrically Isolated
Enclosure:	TEFC	Feedback Device:	NO FEEDBACK
Frame:	215T	Heater Indicator:	No Heater
Frame Material:	Iron	Insulation Class:	F
Output @ Frequency:	15.000 HP @ 60 HZ	Inverter Code:	Inverter Duty
Synchronous Speed @ Frequency:	3600 RPM @ 60 HZ	IP Rating:	NONE
Voltage @ Frequency:	460.0 V @ 60 HZ	KVA Code:	H
	230.0 V @ 60 HZ	Lifting Lugs:	Standard Lifting Lugs
	208.0 V @ 60 HZ	Locked Bearing Indicator:	No Locked Bearing
XP Class and Group:	CLI GP A,B,C,D	Motor Lead Termination:	Flying Leads
XP Division:	Division II	Motor Type:	0750M
Agency Approvals:	CCSA US	Mounting Arrangement:	F1
	CSA EEV	Power Factor:	91
	NEMA PREMIUM	Product Family:	General Purpose
	UR	Pulley Face Code:	Standard
Auxillary Box:	No Auxillary Box	Rodent Screen:	None
Auxillary Box Lead Termination:	None	Shaft Ground Indicator:	No Shaft Grounding
Base Indicator:	Rigid	Shaft Rotation:	Reversible

Bearing Grease Type:	Polyrex EM (-20F +300F)	Speed Code:	Single Speed
Blower:	None	Motor Standards:	NEMA
Constant Torque Speed Range:	15	Starting Method:	Direct on line
Current @ Voltage:	36.000 A @ 208.0 V	Thermal Device - Bearing:	None
	33.800 A @ 230.0 V	Thermal Device - Winding:	None
	16.900 A @ 460.0 V	Vibration Sensor Indicator:	No Vibration Sensor
Design Code:	A	Winding Thermal 1:	None
Drip Cover:	No Drip Cover	Winding Thermal 2:	None
Duty Rating:	CONT	XP Temp Code:	T3C

Nameplate NP4225L											
CAT.NO.	XT3152T-210						I.P.	54			
SPEC.	07-0000-0930						ENCL	TEFC			
FRAME	215T				H.P.	15					
VOLTS	208-230/460				P.F.	91					
F.L. AMPS	36-33.8/16.9				RATING	40C AMB-CONT					
R.P.M.	3500				USABLE AT 208V						
HZ.	60				PH.	3		CLASS	F		
SER.F.	1.15				DES.	A		SL HZ	1.8		
NEMA NOM. EFF.	91				Wk2	0.456		ODE	6206		
DE	6307				CHP	60		TO	90		
MAG. CUR.	9.2/4.6				VT	15		TO	60		
INV TYPE	PWM				CT	15		TO	60		
CC	010A		SN								
	USABLE AT 50 HZ 12.5 HP										
	190/380V 34/17A										

Parts List		
Part Number	Description	Quantity
SA388549	SA 07-0000-0930	1.000 EA
RA378914	RA 07-0000-0930	1.000 EA
LB1115N	LABEL,LIFTING DEVICE (ON ROLLS)	1.000 EA
LC0005E01	CONN.DIA./WARNING LABEL (LC0005/LB1119N)	1.000 EA
NP4225L	SS SEVERE DUTY XT INV UL CSA	1.000 EA
85XU0407S04	4X1/4 U DRIVE PIN STAINLESS	2.000 EA
MN416A01	TAG-INSTAL-MAINT no wire (2100/bx) 4/22	1.000 EA
HW3201A05	3/8-16 EYEBOLT	1.000 EA
07FH4007A07	IEC FH NO GRSSR, NOTCH @ 6:00 & 3 F/C HOL	1.000 EA
51XW1032A06	10-32 X .38, TAPTITE II, HEX WSHR SLTD S	3.000 EA
36FN3000C02SP	EXFN, PLASTIC, 5.25 OD, 1.175 ID	1.000 EA
51XB1214A16	12-14X1.00 HXWSSLD SERTYB	1.000 EA
MJ1000A02	GREASE, MOBIL POLYREX EM - 124047	0.050 LB
HA3104A32	THRUBOLT- 5/16-18 X12.750	4.000 EA
XY3118A12	5/16-18 HEX NUT DIRECTIONAL SERRATION	4.000 EA
37EP3101A04	FR ENDPLATE, MACH	1.000 EA
HW4600B36SP	V-RING SLINGER 1.188 X 1.690 X .24 VITON	1.000 EA
HW5100A06	W2420-025 WVY WSHR (WB)	1.000 EA
HA4067A01	PUSH IN DRAIN FITTING (BLACK)	1.000 EA
37EP3100A02	PU ENDPLATE, MACH	1.000 EA
HW4600C51	31X39X7.5MM FACE SEAL FOR 1.375 DIA. SH	1.000 EA
HA4067A01	PUSH IN DRAIN FITTING (BLACK)	1.000 EA
09CB3002SP	CB W/1.38 LEAD HOLE FOR 37, 39, 307 & 30	1.000 EA
09GS1000SP	GASKET-CONDUIT BOX, 1/16 THICK LEXIDE	1.000 EA

Parts List (continued)		
Part Number	Description	Quantity
09GS1013SP	GS FOR 09CB3501, 12CB1500 & 12CB1503 LID	1.000 EA
51XW2520A12	.25-20 X .75, TAPTITE II, HEX WSHR SLTD	2.000 EA
51XW2520A12	.25-20 X .75, TAPTITE II, HEX WSHR SLTD	2.000 EA
WD1000B16	T&B CX70TN OR L70P TERMINAL LUG	1.000 EA
59XW2520G07	.25-20X.44,HEX SER WSHR,TAPTITE 2,GREEN	1.000 EA
09CB3501SP	CONDUIT BOX LID FOR 09CB3001 & 09CB3002	1.000 EA
MG1025L14	WILKOFASST, 776.14, GRUNDFOS BLACK	0.125 GA
07PA1011	PKG GRP, 07 CAST IRON PK1181	1.000 EA
10XL3808A28	3/8 X 1 3/4" LAG SCREW	2.000 EA
HW2501F21	KEY, 5/16 SQ X 2.375	1.000 EA
HA7000A02	KEY RETAINER RING, 1 1/8 DIA, 1 3/8 DIA	1.000 EA
FE-0000001	ZRTG FE ASSEMBLY	1.000 EA

AC Induction Motor Performance Data

Record # 51368

Typical performance - not guaranteed values

Winding: 07WGR536-R001		Type: 0750M	Enclosure: TEFC
Nameplate Data		460 V, 60 Hz: High Voltage Connection	
Rated Output (HP)	15	Full Load Torque	22.6 LB-FT
Volts	208-230/460	Start Configuration	direct on line
Full Load Amps	36-32.2/16.6	Breakdown Torque	87.7 LB-FT
R.P.M.	3500	Pull-up Torque	29.6 LB-FT
Hz	60 Phase 3	Locked-rotor Torque	43.2 LB-FT
NEMA Design Code	A KVA Code J	Starting Current	133 A
Service Factor (S.F.)	1.15	No-load Current	4.61 A
NEMA Nom. Eff.	91 Power Factor 91	Line-line Res. @ 25°C	0.54448 Ω
Rating - Duty	40C AMB-CONT	Temp. Rise @ Rated Load	66°C
S.F. Amps		Temp. Rise @ S.F. Load	84°C

Load Characteristics 460 V, 60 Hz, 15 HP

% of Rated Load	25	50	75	100	125	150	S.F.
Power Factor	65	83	88	91	92	91	92
Efficiency	90.2	92.6	92.5	91.6	90.2	88.6	90.8
Speed	3572	3546.2	3519.8	3490.6	3457.2	3421.4	3471
Line amperes	6.18	9.3	12.9	16.9	21.4	26	19.6

Performance Graph at 460V, 60Hz, 15.0HP Typical performance - Not guaranteed values

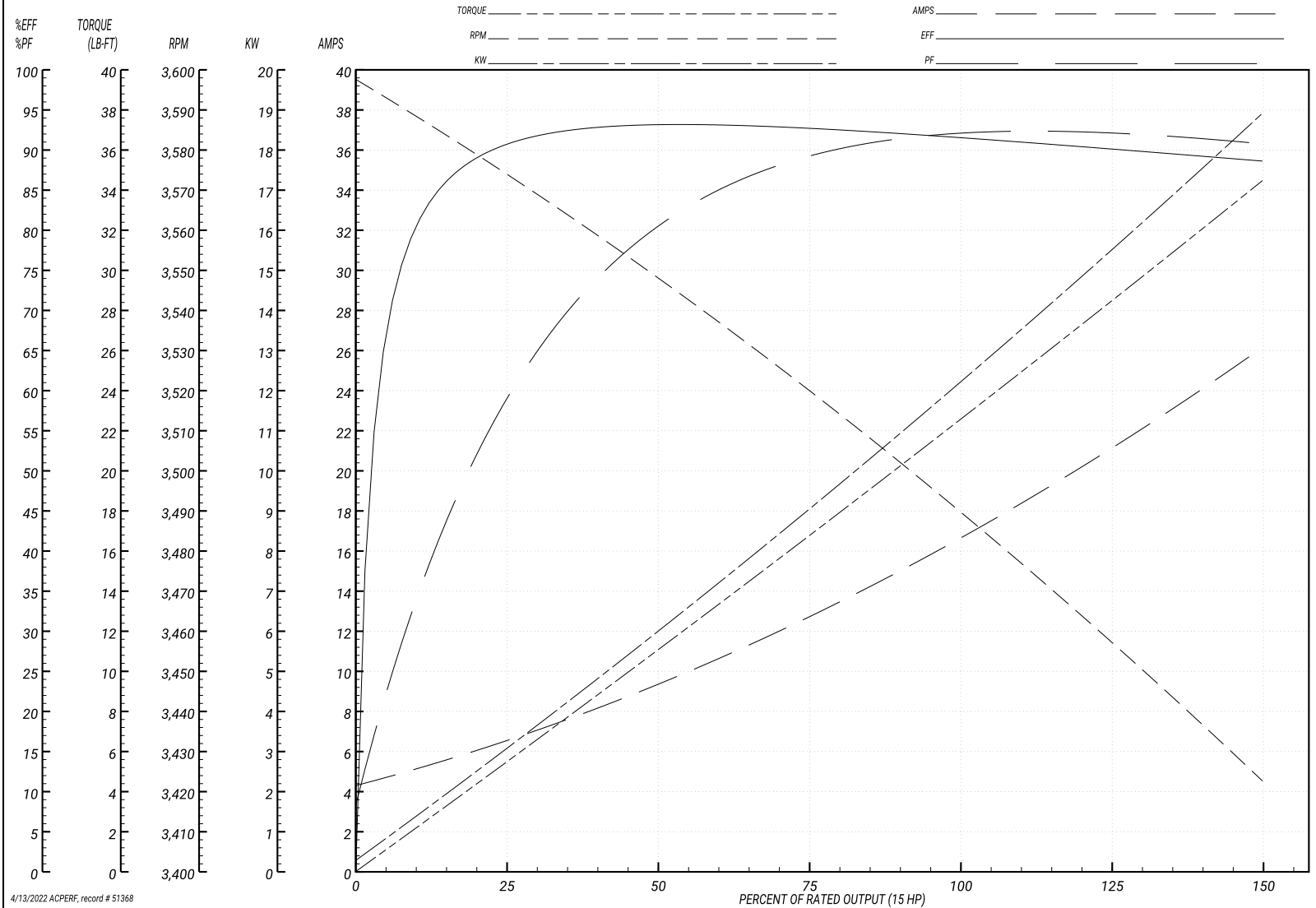
BALDOR ELECTRIC COMPANY

WINDING # 07WGR536

Typical performance - not guaranteed values.

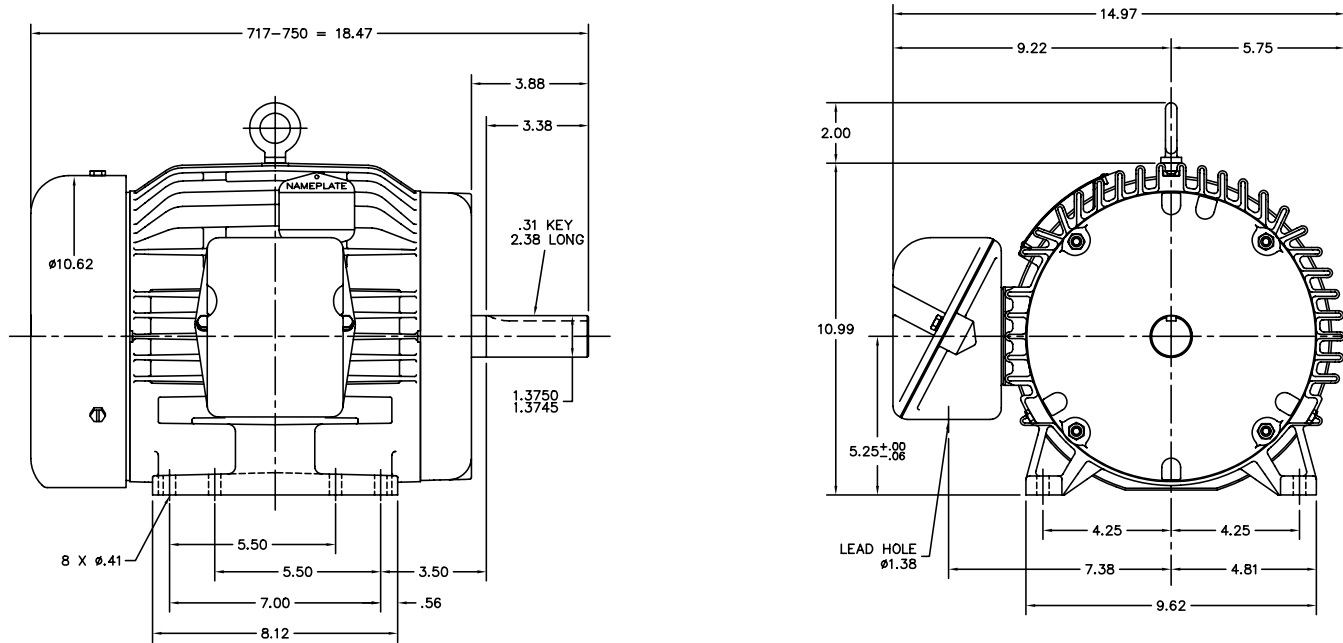
15 HP 3 PH 60 HZ 3500 RPM 460 V 0750M

TORQUES(LB-FT): PO=87.7 PU=29.6 LR=43.2 LRA=133



4/13/2022 ACPERF, record # 51368

07LYJ065



CUST. NAME	CUST. P.O.	CERTIFIED BY	MODEL	INSUL	AMB	
H.P.	MTG	TYPE	R.P.M.	VOLTS	ENCL PHASE FREQ FRAME	
REV. DESC: NEW			BALDOR ELECTRIC Co.			
REV. LTR: -	BY: JED	REVISED: 08/31/99 11:46				TDR: 0189327
FILE: AAA00067881						MDL: -
MTL: -						
HORZ 213-5T TEFC 307M W/SEALED BRGS						

07LYJ065

CD0005

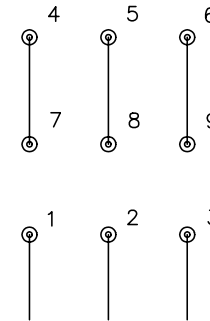


LOW VOLTAGE
(2Y)



LINE

HIGH VOLTAGE
(1Y)



LINE

NOTES:

1. INTERCHANGE ANY TWO LINE LEADS TO REVERSE ROTATION.
2. OPTIONAL THERMOSTATS ARE PROVIDED WHEN SPECIFIED.
3. ACTUAL NUMBER OF INTERNAL PARALLEL CIRCUITS MAY BE A MULTIPLE OF THOSE SHOWN ABOVE.
4. LEAD COLORS ARE OPTIONAL. LEADS MUST ALWAYS BE NUMBERED AS SHOWN.

REV. DESC: REVISE TO SHOW OPTIONAL COLORS			
REV. LTR: E	BY: JLP	REVISED: 01/19/99 10:15	TDR: 0171435
900000		FILE: AAA00005140	MDL: -
		MTL: -	

BALDOR ELECTRIC Co.

3PH, DV, 9 LEADS

CD0005

Marketing maintained PDF of MN416:

<http://www.baldor.com/support/Literature/Load.ashx/MN416?ManNumber=MN416>