

BALDOR • RELIANCE

Customer information packet

XT32502TS-5

250HP, 3575RPM, 3PH, 60HZ, 449TS, A44144M, TEF

Class - None

Division - Division II

Copyright © All product information within this document is subject to ABB Motors and Mechanical Inc. copyright © protection, unless otherwise noted.

7/14/2022 7:33:34 PM

Specifications

Enclosure	TEFC
Frame	449TS
Frame Material	Iron
Frequency	60.00 Hz
Motor Letter Type	Three Phase
Output @ Frequency	250.000 HP @ 60 HZ
Phase	3
Synchronous Speed @ Frequency	3600 RPM @ 60 HZ
Voltage @ Frequency	575.0 V @ 60 HZ
XP Class and Group	None
XP Division	Division II
Agency Approvals	UR NEMA_PREMIUM NEMA PREMIUM CCSAUSEEV
Ambient Temperature	40 °C
Auxillary Box	No Auxillary Box
Base Indicator	Rigid
Bearing Grease Type	Polyrex EM (-20F +300F)
Current @ Voltage	214.000 A @ 575.0 V
Design Code	B
Drip Cover	No Drip Cover
Duty Rating	CONT
Efficiency @ 100% Load	95.8 %
Feedback Device	NO FEEDBACK
Heater Indicator	No Heater
High Voltage Full Load Amps	214.0 a
Insulation Class	F
Inverter Code	Inverter Ready
IP Rating	NONE
KVA Code	G
Max Speed	4500 rpm

Part detail

Revision	A
Type	AC
Mech. spec.	
Base	
Status	PRD/A
Elec. spec.	A44WG5400
Layout	617427-460
Eff. date	10-12-2021
CD Diagram	416820-036
Poles	02
Leads	3#2/0 (02 per group)
Proprietary	False
Created date	09-16-2021

Motor Lead Quantity/Wire Size	6 @ 2/0 AWG
Motor Standards	NEMA
Motor Type	A44144M
Mounting Arrangement	F1
Number of Poles	2
Power Factor	91
Product Family	General Industrial
Pulley End Bearing Type	Ball
Pulley Face Code	Standard
Service Factor	1.15
Shaft Diameter	2.375 IN
Shaft Ground Indicator	No Shaft Grounding
Shaft Rotation	Reversible
Shaft Slinger Indicator	Shaft Slinger
Speed	3575 rpm
Speed Code	Single Speed
Starting Method	Direct on line
Thermal Device - Bearing	None
Thermal Device - Winding	None

Nameplate

NP4152LUA

CAT #	XT32502TS-5			SER				CC	010A			
SPEC	A44-0001-5400			RATING	40C AMB-CONT							
HZ	VOLTS		AMPS	RPM	HP	CODE	SF	DES	PF	NEMA NOM. EFF		
60	575		214	3575	250	G	1.15	B	91	%	95.8 %	
										%	%	
PH	3	CL	F	MAX RPM	4500	MAX CORR KVAR	23	USABLE AT 208V			A	
BRG	DE	6313	ODE	6313	ENCL	TEFC	FR	449TS	IP	54		
GREASE	POLYREX EM					MTR WT		LBS				
	CL I DIV 2 GRPS A,B,C,D				CL I ZONE 2 GRPS			IIA,IIB,IIC		TEMP T	230	C
INV READY	CT	2:1	HZ	30-60	VT	1000:1	HZ	0-60	CHP	1:1.25	HZ	60-75
INV TEMP CL	T2C	C	USABLE AT									
SFA 247												

Parts list

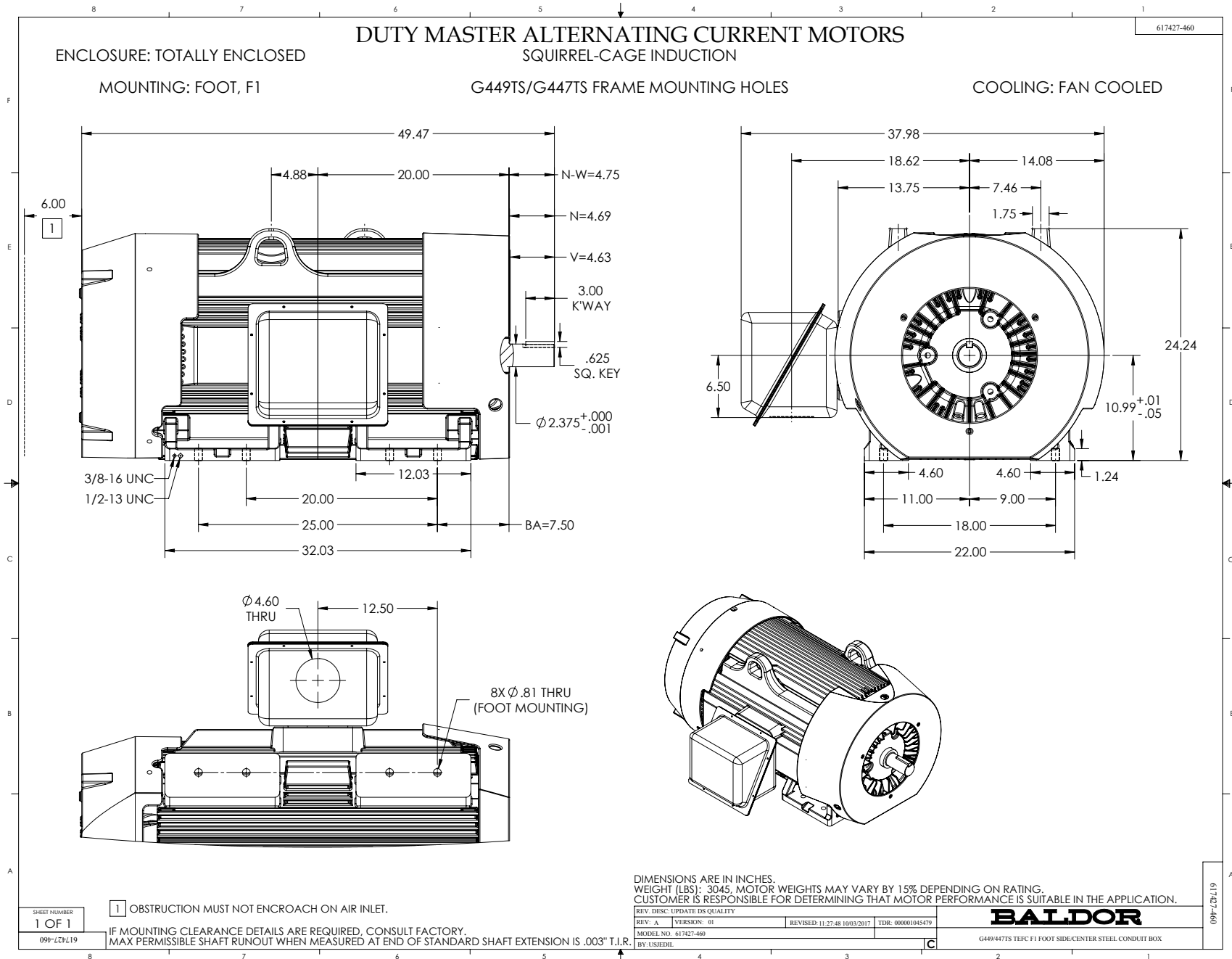
Part number	Description	Quantity
SA397475	SA A44-0001-5400	1.000 ea
RA388368	RA A44-0001-5400	1.000 ea
421948051	LABEL, MYLAR	1.000 ea
000692000FF	N/P	1.000 ea
000692000VD	LABEL WARNING	1.000 ea
LB1449	DIV-2/NEC WARNING LABEL	1.000 ea
NP4152LUA	SS CP XT CLI DIV2 UR CSA-C US-EEV NEMA P	1.000 ea
412118006A	DRAIN	2.000 ea
034690005AB	PPLG 3/4 PLATED	1.000 ea
089490097A	BRKT 089490102WCA	1.000 ea
415072001B	CLAMP	1.000 ea
083199126RA	G28 MOLDED FAN COVER W/BAFFLE ASSEMBLY	1.000 ea
034180014DA	KEY 1/4X1/4X1-3/4 L	1.000 ea
702675001D	FAN 250-440	1.000 ea
004824015A	GREASE POLYREX EM	0.540 lb
032018020FK	HHCS 3/4-10X2-1/2 PLTD.	4.000 ea
032018008CK	HHCS 3/8-16X1L PLATED	4.000 ea
032018022CK	HHCS 3/8-16X2-3/4 PLTD	3.000 ea
415096002A	CPLG 1/8 HEX TYPE	1.000 ea
415045002E	SLGR	1.000 ea
410700004F	WSHR	1.000 ea
035000001G	GREASE RELIEF FITTING, ALEMITE 317400	1.000 ea
034017014AB	LCKW 3/8 STD. PLATED	4.000 ea
034530072AB	P/NIP 1/8X9"L Threaded both ends	1.000 ea
034631002AB	BUSH 1/4 TO 1/8 PLTD.	1.000 ea
034530072BB	PIPE NIPPLE,DE - 440-BS	1.000 ea
032620016LA	SOCKET SET SCREW-449	3.000 ea
034631002AB	BUSH 1/4 TO 1/8 PLTD.	1.000 ea
034530072BB	PIPE NIPPLE,DE - 440-BS	1.000 ea
702623012A	THERMAL BARRIER, G28	1.000 ea
032018004BK	HHCS 5/16-18X1/2 PLATED	3.000 ea

034000013AB	WSHR 5/16" PLATED-440	3.000 ea
089490097A	BRKT 089490102WCA	1.000 ea
032018020FK	HHCS 3/4-10X2-1/2 PLTD.	4.000 ea
032018022CK	HHCS 3/8-16X2-3/4 PLTD	3.000 ea
415045002E	SLGR	1.000 ea
034530072AB	P/NIP 1/8X9"L Threaded both ends	1.000 ea
415096002A	CPLG 1/8 HEX TYPE	1.000 ea
035000001G	GREASE RELIEF FITTING, ALEMITE 317400	1.000 ea
032018006BK	HHCS 5/16-18X3/4 PLATED	3.000 ea
034017013AB	LCKW 5/16 STD. PLATED	3.000 ea
702623022A	G28 AIR DEFLECTOR DRIVE END -- PLASTIC	1.000 ea
034001013AB	FLTW BAFFLE	3.000 ea
415915007K	GASK, 26" LAC	1.000 ea
702658001B	+C/BOX, PAINTED 440	1.000 ea
702658002A	+C/BOX CVR, PAINTED 440	1.000 ea
406056008A	GASKET, TERBD 440	1.000 ea
418153001A	GASK 440	1.000 ea
418150003A	GREASE FITTING CAP	1.000 ea
032018008DK	HHCS 1/2-13X1 PLATED	4.000 ea
035000001A	ALFTG 1/8" 1610-BL	1.000 ea
415000103D	T/LUG #4AWG-1/0AWG W/HOLE FOR .250 BOLT	1.000 ea
033512006LB	HHTTS 1/4-20X3/4 PLTD.	8.000 ea
406099000A	PLUG - FAN COVER 320-440	1.000 ea
033512004LB	HHTTS 1/4-20X1/2 PLTD.	1.000 ea
035000001A	ALFTG 1/8" 1610-BL	1.000 ea
418150003A	GREASE FITTING CAP	1.000 ea
MG1025L14	WILKOFAS, 776.14, GRUNDFOS BLACK	0.500 ga
033775004EA	DRSCR #6-1/4 304 S.S.	2.000 ea
034180024HA	KEY 5/8X5/8X3 L	1.000 ea
604797056	400-447 FRAME 60 X 42	1.000 ea
032510026D	CARRIAGE BOLT - 440	2.000 ea
034001014AB	FLAT WASHER 3/8"PLATED	2.000 ea
034001016AB	WSHR .562ID 1.375OD .109	2.000 ea
033300014AC	HEX NUT, SHIPPING - 400	2.000 ea

604799003C

PLASTIC BAG 42X32X46

1.000 ea



416820-036

A-C MOTOR
CONNECTION DIAGRAM
STANDARD 3 LEAD CONNECTED



(N.P. 1575-BA)

416820-036

REV. DESC: LOADED TO BUS, C/R 335225		
REV. LTR: -	VERSION: 00	TDR: 000000538207
FILE: \MGA\00000\682	REVISED: 11:54:06 04/30/2010	
MTL: -	BY: RAGRA	

BALDOR

CONN DIAG - STANDARD 3 LEAD
SH 1 of 1