

**BALDOR® • RELIANCE** 

**Product Information Packet**

**XT3306T**

**30HP,1180RPM,3PH,60HZ,326T,1264M,TEFC,F1**

Part Detail							
Revision:	-	Status:	PRD/A	Change #:		Proprietary:	No
Type:	AC	Elec. Spec:	12WGY812	CD Diagram:	CD0005	Mfg Plant:	
Mech. Spec:		Layout:	12LYH013	Poles:	06	Created Date:	11-05-2020
Base:		Eff. Date:	01-14-2021	Leads:	9#8		

Specs			
Catalog Number:	XT3306T	Electrically Isolated Bearing:	Not Electrically Isolated
Enclosure:	TEFC	Feedback Device:	NO FEEDBACK
Frame:	326T	Heater Indicator:	No Heater
Frame Material:	Iron	Insulation Class:	F
Output @ Frequency:	30.000 HP @ 60 HZ	Inverter Code:	Inverter Duty
Synchronous Speed @ Frequency:	1200 RPM @ 60 HZ	IP Rating:	NONE
Voltage @ Frequency:	230.0 V @ 60 HZ	KVA Code:	H
	460.0 V @ 60 HZ	Lifting Lugs:	Standard Lifting Lugs
XP Class and Group:	CLI GP A,B,C,D	Locked Bearing Indicator:	Locked Bearing
XP Division:	Division II	Motor Lead Termination:	Flying Leads
Agency Approvals:	CCSA US	Motor Type:	1264M
	CSA EEV	Mounting Arrangement:	F1
	NEMA PREMIUM	Power Factor:	78
	UR	Product Family:	General Purpose
Auxillary Box:	No Auxillary Box	Pulley Face Code:	Standard
Auxillary Box Lead Termination:	None	Rodent Screen:	None
Base Indicator:	Rigid	Shaft Ground Indicator:	No Shaft Grounding
Bearing Grease Type:	Polyrex EM (-20F +300F)	Shaft Rotation:	Reversible

<b>Blower:</b>	None	<b>Speed Code:</b>	Single Speed
<b>Constant Torque Speed Range:</b>	3	<b>Motor Standards:</b>	NEMA
<b>Current @ Voltage:</b>	78.000 A @ 230.0 V	<b>Starting Method:</b>	Direct on line
	82.000 A @ 208.0 V	<b>Thermal Device - Bearing:</b>	None
	39.000 A @ 460.0 V	<b>Thermal Device - Winding:</b>	None
<b>Design Code:</b>	A	<b>Vibration Sensor Indicator:</b>	No Vibration Sensor
<b>Drip Cover:</b>	No Drip Cover	<b>Winding Thermal 1:</b>	None
<b>Duty Rating:</b>	CONT	<b>Winding Thermal 2:</b>	None
		<b>XP Temp Code:</b>	T3

<b>Nameplate NP4163L</b>										
<b>CAT.NO.</b>	XT3306T					<b>I.P.</b>	54			
<b>SPEC.</b>	12-0000-1894					<b>ENCL</b>	TEFC			
<b>FRAME</b>	326T			<b>H.P.</b>	30					
<b>VOLTS</b>	230/460			<b>P.F.</b>	78					
<b>F.L. AMPS</b>	78/39			<b>RATING</b>	40C AMB-CONT					
<b>R.P.M.</b>	1180			<b>USABLE AT 208V</b>	82					
<b>HZ.</b>	60			<b>PH.</b>	3		<b>CLASS</b>	F		
<b>SER.F.</b>	1.15			<b>DES.</b>	A		<b>SL HZ</b>	1		
<b>NEMA NOM. EFF.</b>	93			<b>Wk2</b>	12.2					
<b>DE</b>	6312			<b>ODE</b>	6311					
<b>MAG. CUR.</b>	34/17									
<b>INV TYPE</b>	PWM	<b>CHP</b> 60		<b>TO</b>	90		<b>T. CODE</b>	T3		
<b>CT</b>	3	<b>TO</b>	60		<b>VT</b>	3		<b>TO</b>	60	
<b>CC</b>	010A			<b>SN</b>						
USABLE AT 50 HZ 25HP 190/380V										
78/39A										

Parts List		
Part Number	Description	Quantity
SA389483	SA 12-0000-1894	1.000 EA
RA379867	RA 12-0000-1894	1.000 EA
LB1115N	LABEL,LIFTING DEVICE (ON ROLLS)	1.000 EA
LC0005E01	SPL CONN.DIA./WARN.LABEL(LC0005/LB1119)	1.000 EA
LB1449	DIV-2/NEC WARNING LABEL	1.000 EA
NP4163L	SS CP INV DIV-2 UL CSA-C US EEV PREM, DI	1.000 EA
85XU0407S04	4X1/4 U DRIVE PIN STAINLESS	2.000 EA
MN416A01	TAG-INSTAL-MAINT no wire (2100/bx) 4/22	1.000 EA
12FH1002SP	FAN COVER, CAST	1.000 EA
HW1001A50	LOCKWASHER 1/2, ZINC PLT.,.879 OD, .509 I	4.000 EA
XY5013A12	NUT,1/2-13,HEX,STEEL,ZINCPLATED	4.000 EA
09FN3001B03SP	EXTERNAL FAN, PLASTIC (COMES W/SCREW FRO	1.000 EA
HW2500A25	WOODRUFF KEY USA #1008 #BLOW CARBON STEE	1.000 EA
MJ1000A02	GREASE, MOBIL POLYREX EM - 124047	0.200 LB
12EP1107A196	FREP W/SLINGER & "0" DRAIN,W/O RET HLS	1.000 EA
HA3400A13	STUD, 1/2-13 X 7" WELKER	4.000 EA
HW1001A50	LOCKWASHER 1/2, ZINC PLT.,.879 OD, .509 I	4.000 EA
HW4600B41	V-RING SLINGER 2.125 X 2.880 X 0.280	1.000 EA
HW5100A13	W4627-047 WVY WSHER	1.000 EA
HA4017A01	1/8 X 4 GREASE EXT (F/S)	1.000 EA
HA4051A00	PLASTIC CAP FOR GREASE FITTING	1.000 EA
HW4500A21	1618BALEMITE FITTING 825 UNIVERSAL	1.000 EA
HW4500A17	317400 ALEMITE GREASE RELIEF	1.000 EA
HA4066A01	PUSH IN T-DRAIN FITTING (BLACK)	1.000 EA

Parts List (continued)		
Part Number	Description	Quantity
12EP1106A77	PU ENDPLATE, MACH FOR "O" DRAIN	1.000 EA
HW1001A50	LOCKWASHER 1/2, ZINC PLT.,.879 OD, .509 I	4.000 EA
10XN5013K28	1/2-13 X 1.75 HEX HEAD MACH SCREW,GRAD	4.000 EA
HW4600B41	V-RING SLINGER 2.125 X 2.880 X 0.280	1.000 EA
10XN3118K40	5/16-18 X 2.50" HEX HD, GRADE 5	4.000 EA
HW1001A31	LOCKWASHER 5/16, ZINC PLT.591 OD, .319 I	4.000 EA
HA4051A00	PLASTIC CAP FOR GREASE FITTING	1.000 EA
HW4500A03	GREASE FITTING, .125 NPT 1610(ALEMITE) 8	1.000 EA
HW4500A17	317400 ALEMITE GREASE RELIEF	1.000 EA
HA4066A01	PUSH IN T-DRAIN FITTING (BLACK)	1.000 EA
10CB3001	CONDUIT BOX CAST W/2.500 LEAD HOLE	1.000 EA
09GS1000SP	GASKET-CONDUIT BOX, 1/16 THICK LEXIDE	1.000 EA
10XN3118K16	5/16-18 X 1' GRADE #5, STL, ZINC PLATE	4.000 EA
HW1001A31	LOCKWASHER 5/16, ZINC PLT.591 OD, .319 I	4.000 EA
WD1000B25	GND LUG, BURNDY L125HP OR T&B L125HP-BB	1.000 EA
19XW3118G08	.31-18X.50,HEX WSHR HD,TAPTITE 2,GREEN	1.000 EA
10CB3500SP	CONDUIT BOX LID, CAST	1.000 EA
10GS1000SP	GASKET, CONDUIT BOX LID	1.000 EA
51XW2520A12	.25-20 X .75, TAPTITE II, HEX WSHR SLTD	4.000 EA
MG1025L14	WILKOFAS, 776.14, GRUNDFOS BLACK	0.125 GA
12PA1000	PACKAGING GROUP PRINT PK1024A07	1.000 EA
HW2501H33	KEY, 1/2 SQ X 3.875	1.000 EA

**AC Induction Motor Performance Data**

Record # 47164

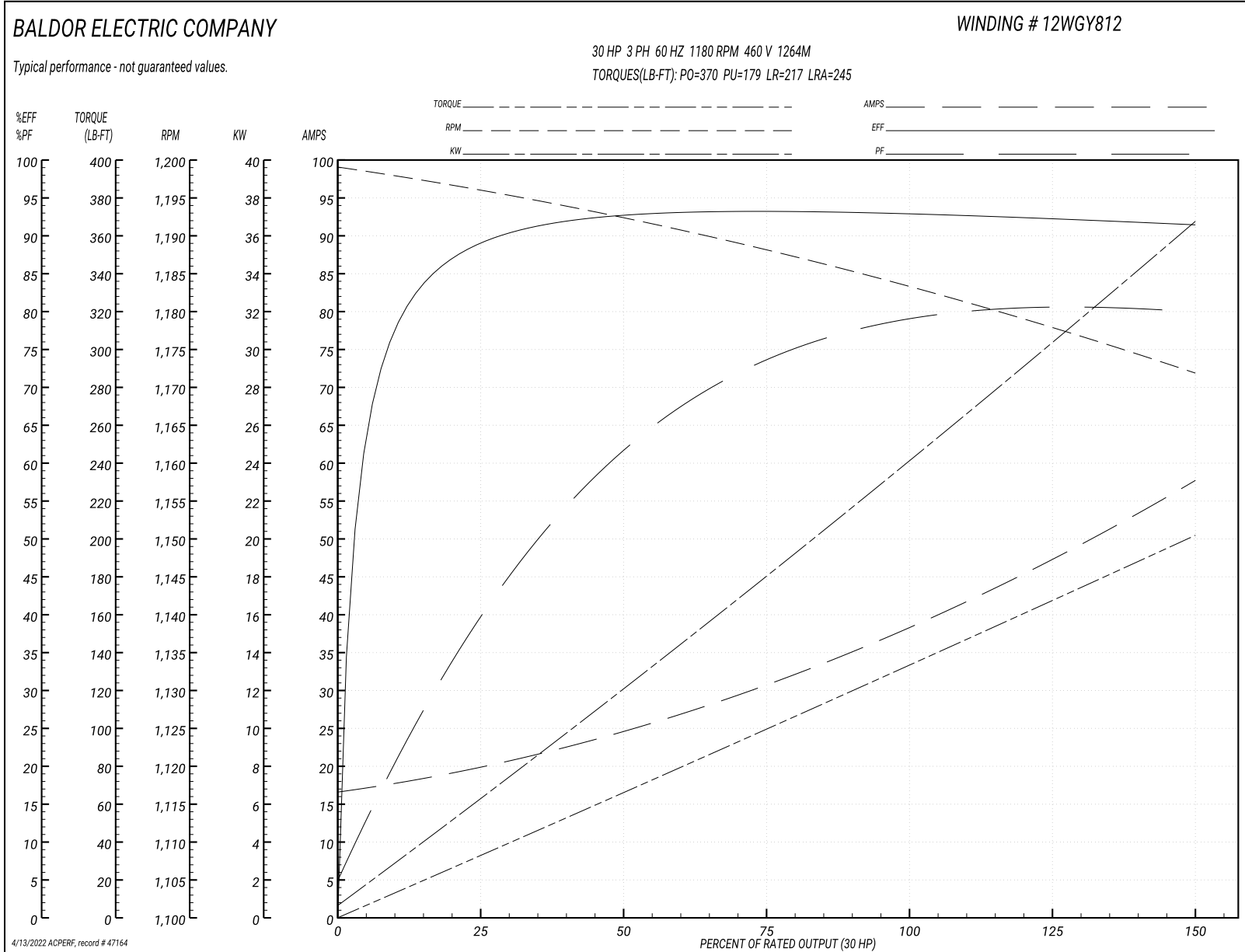
Typical performance - not guaranteed values

<b>Winding: 12WGY812-R001</b>		<b>Type: 1264M</b>		<b>Enclosure: TEFC</b>	
<b>Nameplate Data</b>			<b>460 V, 60 Hz: High Voltage Connection</b>		
<b>Rated Output (HP)</b>	30		<b>Full Load Torque</b>	133 LB-FT	
<b>Volts</b>	230/460		<b>Start Configuration</b>	direct on line	
<b>Full Load Amps</b>	78/39		<b>Breakdown Torque</b>	370 LB-FT	
<b>R.P.M.</b>	1180		<b>Pull-up Torque</b>	179 LB-FT	
<b>Hz</b>	<b>60 Phase</b>	3	<b>Locked-rotor Torque</b>	217 LB-FT	
<b>NEMA Design Code</b>	<b>A KVA Code</b>	H	<b>Starting Current</b>	245 A	
<b>Service Factor (S.F.)</b>	1.15		<b>No-load Current</b>	17.2 A	
<b>NEMA Nom. Eff.</b>	<b>93 Power Factor</b>	78	<b>Line-line Res. @ 25°C</b>	0.22799 Ω	
<b>Rating - Duty</b>	40C AMB-CONT		<b>Temp. Rise @ Rated Load</b>	56°C	
<b>S.F. Amps</b>			<b>Temp. Rise @ S.F. Load</b>	68°C	

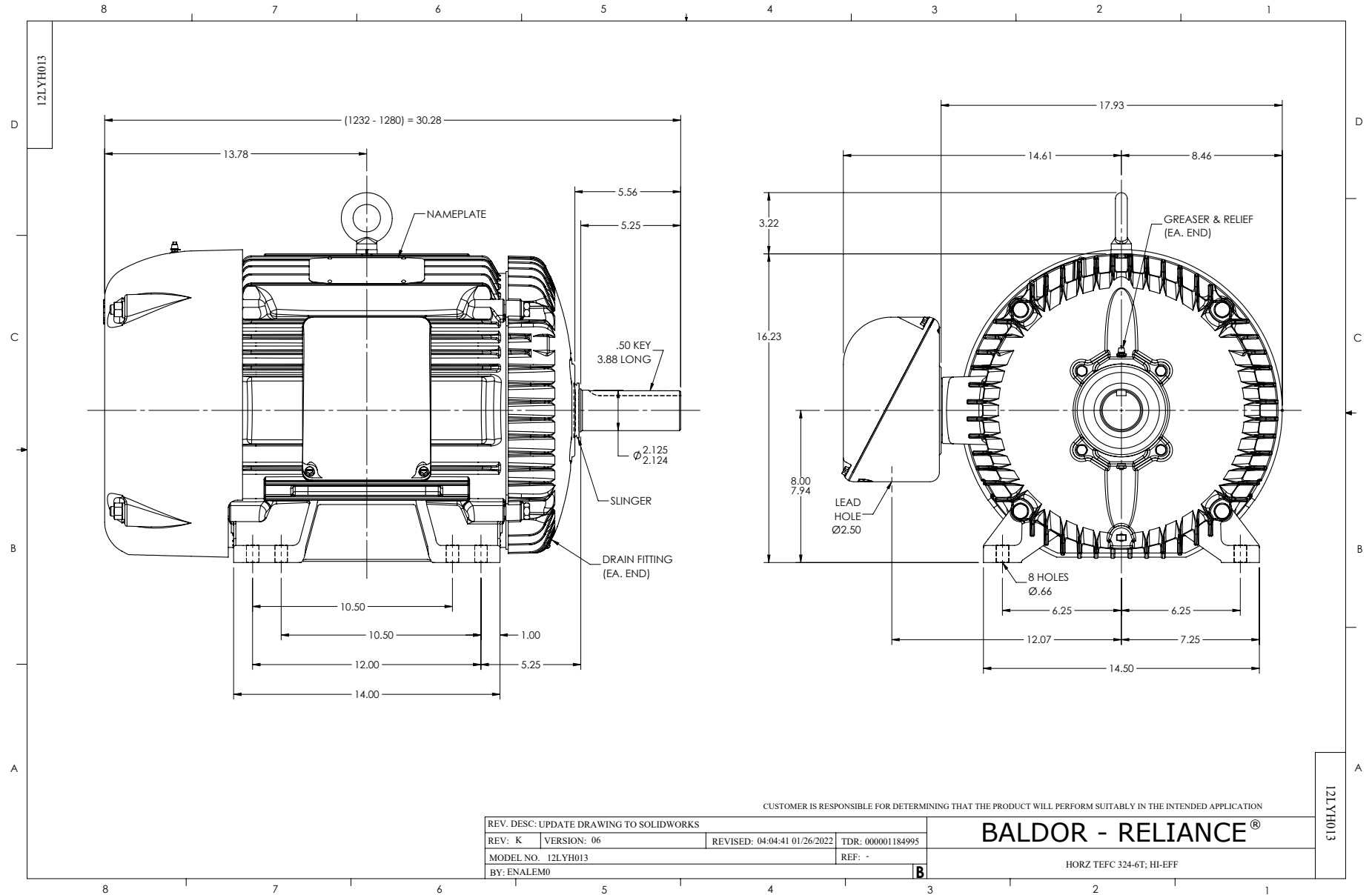
**Load Characteristics 460 V, 60 Hz, 30 HP**

<b>% of Rated Load</b>	<b>25</b>	<b>50</b>	<b>75</b>	<b>100</b>	<b>125</b>	<b>150</b>	<b>S.F.</b>
<b>Power Factor</b>	42	63	73	78	80	80	79
<b>Efficiency</b>	89	92.7	93.4	93.1	92.4	91.4	92.7
<b>Speed</b>	1196.5	1191.9	1188.3	1183.2	1178.2	1171.8	1180
<b>Line amperes</b>	19.2	24.1	31	38.7	47.5	57.3	44

Performance Graph at 460V, 60Hz, 30.0HP Typical performance - Not guaranteed values







CD0005

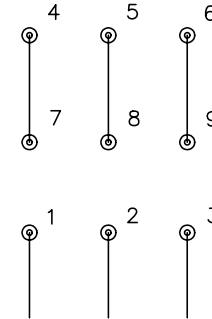


LOW VOLTAGE  
(2Y)



LINE

HIGH VOLTAGE  
(1Y)



LINE

NOTES:

1. INTERCHANGE ANY TWO LINE LEADS TO REVERSE ROTATION.
2. OPTIONAL THERMOSTATS ARE PROVIDED WHEN SPECIFIED.
3. ACTUAL NUMBER OF INTERNAL PARALLEL CIRCUITS MAY BE A MULTIPLE OF THOSE SHOWN ABOVE.
4. LEAD COLORS ARE OPTIONAL. LEADS MUST ALWAYS BE NUMBERED AS SHOWN.

REV. DESC: REVISE TO SHOW OPTIONAL COLORS			
REV. LTR: E	BY: JLP	REVISED: 01/19/99 10:15	TDR: 0171435
900000		FILE: AAA00005140	MDL: -
		MTL: -	

**BALDOR ELECTRIC Co.**

3PH, DV, 9 LEADS

CD0005

Marketing maintained PDF of MN416:

<http://www.baldor.com/support/Literature/Load.ashx/MN416?ManNumber=MN416>