

BALDOR • RELIANCE

Customer information packet

XT3506T

50HP, 1185RPM, 3PH, 60HZ, 365T, A36062M, TEFC

Class - None

Division - Division II

Specifications

| | |
|-------------------------------|---|
| Enclosure | TEFC |
| Frame | 365T |
| Frame Material | Iron |
| Frequency | 60.00 Hz |
| Motor Letter Type | Three Phase |
| Output @ Frequency | 50.000 HP @ 60 HZ |
| Phase | 3 |
| Synchronous Speed @ Frequency | 1200 RPM @ 60 HZ |
| Voltage @ Frequency | 230.0 V @ 60 HZ 460.0 V @ 60 HZ |
| XP Class and Group | None |
| XP Division | Division II |
| Agency Approvals | UR NEMA PREMIUM CSA EEV CCSA US |
| Ambient Temperature | 40 °C |
| Auxillary Box | No Auxillary Box |
| Base Indicator | Rigid |
| Bearing Grease Type | Polyrex EM (-20F +300F) |
| Current @ Voltage | 123.000 A @ 230.0 V 61.700 A @ 460.0 V |
| Design Code | B |
| Drip Cover | No Drip Cover |
| Duty Rating | CONT |
| Efficiency @ 100% Load | 94.1 % |
| Feedback Device | NO FEEDBACK |
| Heater Indicator | No Heater |
| High Voltage Full Load Amps | 61.7 a |
| Insulation Class | F |
| Inverter Code | Inverter Ready |
| IP Rating | NONE |

Part detail

| | |
|--------------|------------|
| Revision | C |
| Type | AC |
| Mech. spec. | |
| Base | |
| Status | PRD/A |
| Elec. spec. | A36WG1231 |
| Layout | 617431-412 |
| Eff. date | 10-01-2021 |
| CD Diagram | 416820-002 |
| Poles | 06 |
| Leads | 3#4,6#6 |
| Proprietary | False |
| Created date | 11-13-2020 |

| | |
|--------------------------------------|-----------------------|
| KVA Code | F |
| Lifting Lugs | Standard Lifting Lugs |
| Max Speed | 2700 rpm |
| Motor Lead Quantity/Wire Size | 3 @ 4 AWG |
| Motor Standards | NEMA |
| Motor Type | A36062M |
| Mounting Arrangement | F1 |
| Number of Poles | 6 |
| Overall Length | 33.48 IN |
| Power Factor | 81 |
| Product Family | General Industrial |
| Pulley End Bearing Type | Ball |
| Pulley Face Code | Standard |
| Service Factor | 1.15 |
| Shaft Diameter | 2.375 IN |
| Shaft Ground Indicator | No Shaft Grounding |
| Shaft Rotation | Reversible |
| Shaft Slinger Indicator | Shaft Slinger |
| Speed | 1185 rpm |
| Speed Code | Single Speed |
| Starting Method | Direct on line |
| Thermal Device - Bearing | None |
| Thermal Device - Winding | None |

Nameplate

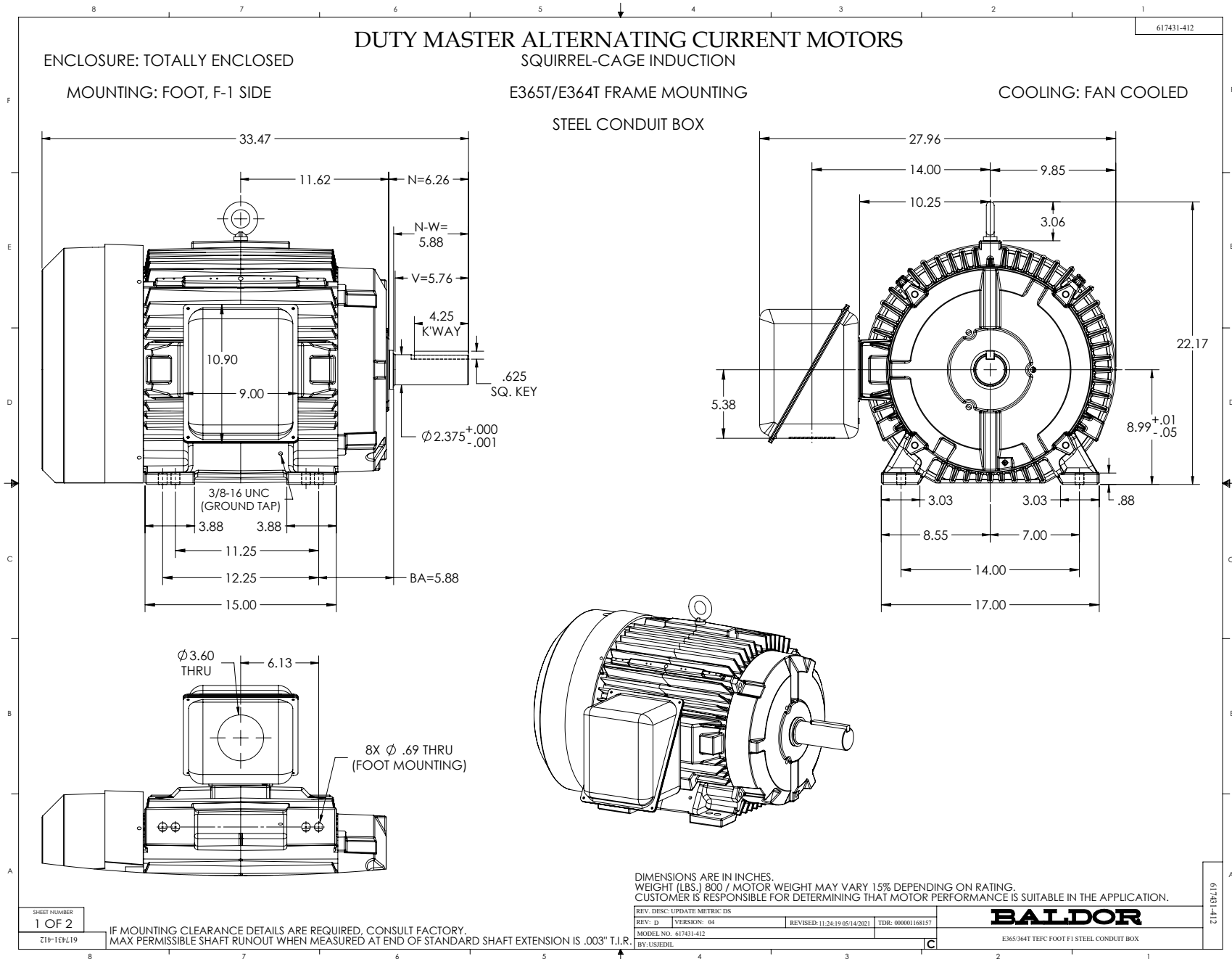
NP4152LUA

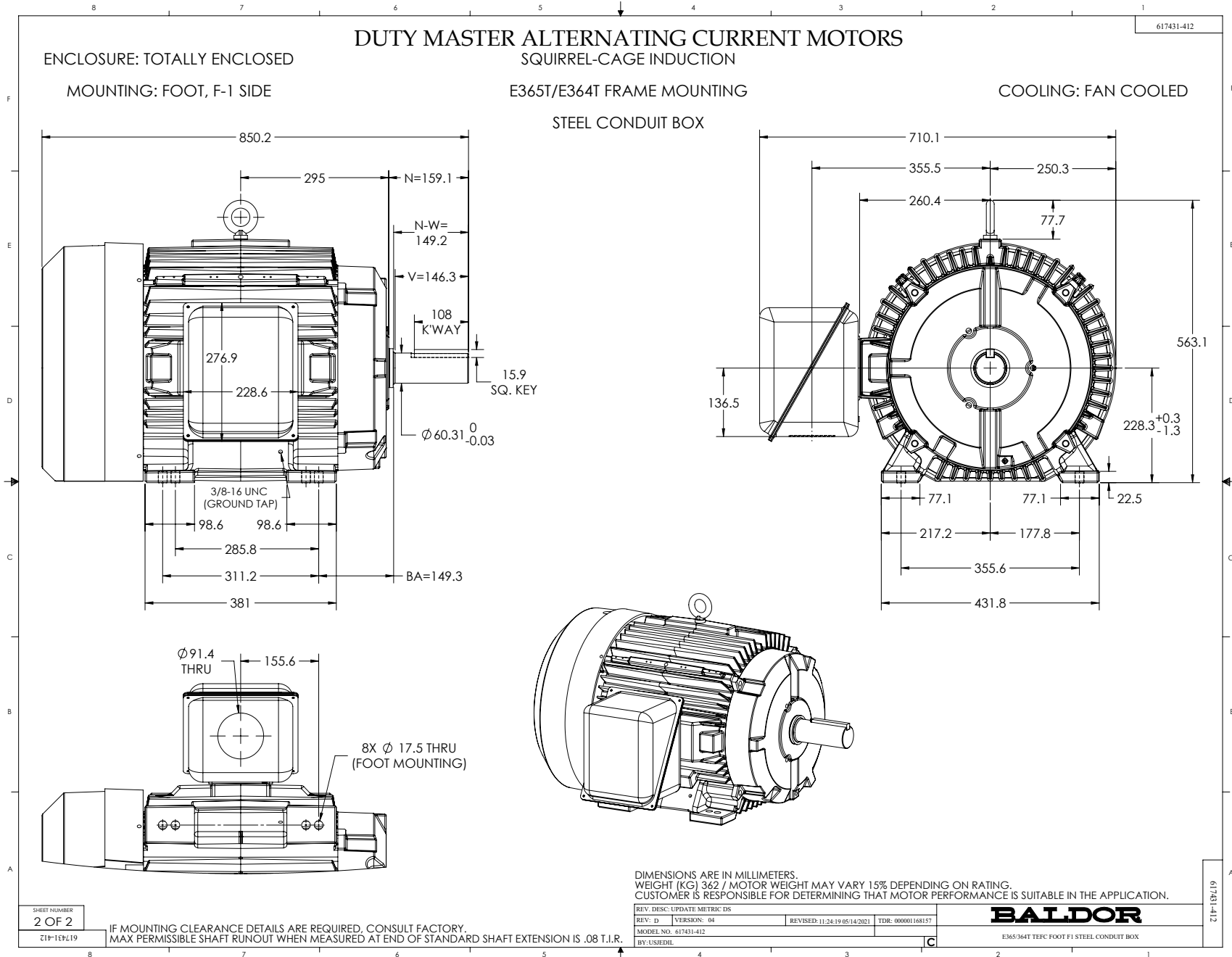
| | | | | | | | | | | | | |
|--------------------|--------------------------------|-----------|------------------|------------------------------|-------------------------|----------------------|---------------|-----------------------|------------|---------------|----------------------|-------|
| CAT # | XT3506T | | | SER | | | | CC | 010A | | | |
| SPEC | A36-7821-1231 | | | RATING | 40C AMB-CONT | | | | | | | |
| HZ | VOLTS | | AMPS | | RPM | HP | CODE | SF | DES | PF | NEMA NOM. EFF | |
| 60 | 230/460 | | 123/61.7 | | 1185 | 50 | F | 1.15 | B | 81 % | 94.1 % | |
| | | | | | | | | | | % | | % |
| PH | 3 | CL | F | MAX RPM | 2700 | MAX CORR KVAR | 14 | USABLE AT 208V | | 133 | A | |
| BRG | DE | 6313 | ODE | 6313 | ENCL | TEFC | FR | 365T | IP | 54 | | |
| GREASE | POLYREX EM | | | | | | MTR WT | LBS | | | | |
| | CL I DIV 2 GRPS A,B,C,D | | | | CL I ZONE 2 GRPS | | | IIA,IIB,IIC | | TEMP T | 200 | C |
| INV READY | CT | 6-60 | HZ | 10:1 | VT | 0-60 | HZ | 1000:1 | CHP | 60-90 | HZ | 1:1.5 |
| INV TEMP CL | T3 | C | USABLE AT | 50HZ 40HP 190/380V 120/59.9A | | | | | | 1.0SF | | |

Parts list

| Part number | Description | Quantity |
|-------------|--|----------|
| SA387829 | SA A36-7821-1231 | 1.000 ea |
| RA378170 | RA A36-7821-1231 | 1.000 ea |
| 421948032 | LABEL, MYLAR | 1.000 ea |
| 000692000VD | LABEL WARNING | 1.000 ea |
| LB1449 | DIV-2/NEC WARNING LABEL | 1.000 ea |
| NP4152LUA | SS CP XT CLI DIV2 UR CSA-C US-EEV NEMA P | 1.000 ea |
| 085922073B | BRKT 360 085922072WCC KB | 1.000 ea |
| 415072001B | CLAMP | 1.000 ea |
| 078559001A | +FANCV - 360 | 1.000 ea |
| 034180012DA | KEY 1X4X1/4X1-1/2 L | 1.000 ea |
| 412118006A | DRAIN | 1.000 ea |
| 078550001M | FAN KB 60/30 (30) 360 | 1.000 ea |
| 004824015A | GREASE POLYREX EM | 0.540 lb |
| 032018012DK | HHCS 1/2-13X1-1/2 PLTD. 032018012DR | 4.000 ea |
| 032018008AK | HHCS 1/4-20X1 PLATED | 4.000 ea |
| 032018024CK | HHCS 3/8-16X3 PLTD. | 3.000 ea |
| 415096002A | CPLG 1/8 HEX TYPE | 1.000 ea |
| 415045002E | SLGR | 1.000 ea |
| 410700004F | WSHR | 1.000 ea |
| 035000001G | GREASE RELIEF FITTING, ALEMITE 317400 | 1.000 ea |
| 034530052AB | P/NIP 1/8X6-1/2 Zinc | 1.000 ea |
| 034600001AA | BUSH 1/4TO1/8 BLACK | 1.000 ea |
| 034600001AA | BUSH 1/4TO1/8 BLACK | 1.000 ea |
| 085922073B | BRKT 360 085922072WCC KB | 1.000 ea |
| 032018012DK | HHCS 1/2-13X1-1/2 PLTD. 032018012DR | 4.000 ea |
| 032018024CK | HHCS 3/8-16X3 PLTD. | 3.000 ea |
| 415045002E | SLGR | 1.000 ea |
| 412118006A | DRAIN | 1.000 ea |
| 034530020AB | P/NIP 1/8X2-1/2 PLTED | 1.000 ea |
| 415096002A | CPLG 1/8 HEX TYPE | 1.000 ea |
| 035000001G | GREASE RELIEF FITTING, ALEMITE 317400 | 1.000 ea |

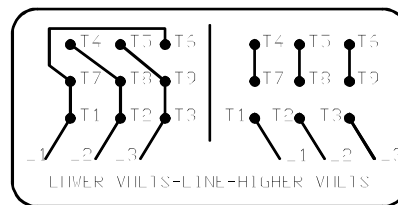
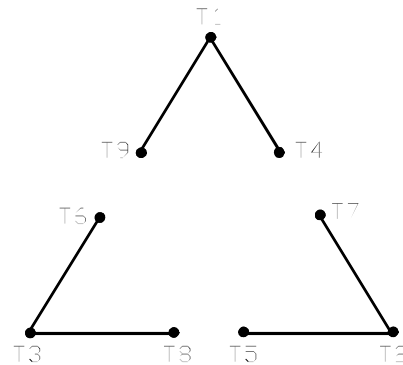
| | | |
|-------------|--|----------|
| 077176000L | C/BOX, PAINTED 440 | 1.000 ea |
| 077176001A | CBOXC, PAINTED 360-400 | 1.000 ea |
| 043292000AJ | GASK 320-400 | 1.000 ea |
| 402731001A | GASK 360-440 | 1.000 ea |
| 418150003A | GREASE FITTING CAP | 1.000 ea |
| 032018005AK | HHCS 1/4-20X5/8 PLATED | 4.000 ea |
| 032018008CK | HHCS 3/8-16X1L PLATED | 4.000 ea |
| 035000001A | ALFTG 1/8" 1610-BL | 1.000 ea |
| 415000115H | T/LUG #2AWG-4/0AWG | 1.000 ea |
| 406099000A | PLUG - FAN COVER 320-440 | 1.000 ea |
| 032018005DL | 1/2-13 X 5/8 SILICON BRONZE HHCS | 1.000 ea |
| 035000001A | ALFTG 1/8" 1610-BL | 1.000 ea |
| 418150003A | GREASE FITTING CAP | 1.000 ea |
| MG1025L14 | WILKOFAS, 776.14, GRUNDFOS BLACK | 0.250 ga |
| 033775004EA | DRSCR #6-1/4 304 S.S. | 4.000 ea |
| 034180034HA | KEY 5/8X5/8X4-1/4 L | 1.000 ea |
| 14PA1000 | PACKAGING 314 GROUP COMBINED PRINT | 1.000 ea |
| HW1000A32 | 5/16 FL WASHER WIDE, ID=.344, OD=1.125 | 3.000 ea |
| 032509020C | CARRIAGE BOLT - 360 | 3.000 ea |





416820-002

A-C MOTOR
 CONNECTION DIAGRAM
 STANDARD 9 LEAD DELTA-CONNECTED



(N.P. 1575-B)

416820-002

| | | |
|---|------------------------------|-------------------|
| REV. DESC: FONT CHANGE FOR PDF SEARCHABLE | | |
| REV. LTR: A | VERSION: 01 | TDR: 000001009382 |
| FILE: \MGA\00000\661 | REVISED: 02:46:19 02/13/2020 | BY: MGHMTT |
| MTL: - | | © □ |

BALDOR - RELIANCE®

CONN DIAG - STANDARD 9 LEAD, DELTA-CONNECTED

SH 1 of 1