

BALDOR • RELIANCE

Customer information packet

XT3752TS-5

75HP, 3555RPM, 3PH, 60HZ, 365TS, A36068M, TEFC

Class - None

Division - Division II

Specifications

Enclosure	TEFC
Frame	365TS
Frame Material	Iron
Frequency	60.00 Hz
Motor Letter Type	Three Phase
Output @ Frequency	75.000 HP @ 60 HZ
Phase	3
Synchronous Speed @ Frequency	3600 RPM @ 60 HZ
Voltage @ Frequency	575.0 V @ 60 HZ
XP Class and Group	None
XP Division	Division II
Agency Approvals	UR NEMA_PREMIUM NEMA PREMIUM CCSAUSEEV
Ambient Temperature	40 °C
Auxillary Box	No Auxillary Box
Base Indicator	Rigid
Bearing Grease Type	Polyrex EM (-20F +300F)
Current @ Voltage	65.500 A @ 575.0 V
Design Code	B
Drip Cover	No Drip Cover
Duty Rating	CONT
Efficiency @ 100% Load	93.6 %
Feedback Device	NO FEEDBACK
Heater Indicator	No Heater
High Voltage Full Load Amps	65.5 a
Insulation Class	F
Inverter Code	Inverter Ready
IP Rating	NONE
KVA Code	F
Lifting Lugs	Standard Lifting Lugs

Part detail

Revision	-
Type	AC
Mech. spec.	
Base	
Status	PRD/A
Elec. spec.	A36WG1546
Layout	617428-328
Eff. date	09-22-2021
CD Diagram	416820-036
Poles	02
Leads	3#4
Proprietary	False
Created date	09-20-2021

Max Speed	4500 rpm
Motor Lead Quantity/Wire Size	3 @ 4 AWG
Motor Standards	NEMA
Motor Type	A36068M
Mounting Arrangement	F1
Number of Poles	2
Overall Length	31.35 IN
Power Factor	92
Product Family	General Industrial
Pulley End Bearing Type	Ball
Pulley Face Code	Standard
Service Factor	1.15
Shaft Diameter	1.875 IN
Shaft Ground Indicator	No Shaft Grounding
Shaft Rotation	Reversible
Shaft Slinger Indicator	Shaft Slinger
Speed	3555 rpm
Speed Code	Single Speed
Starting Method	Direct on line
Thermal Device - Bearing	None
Thermal Device - Winding	None

Nameplate

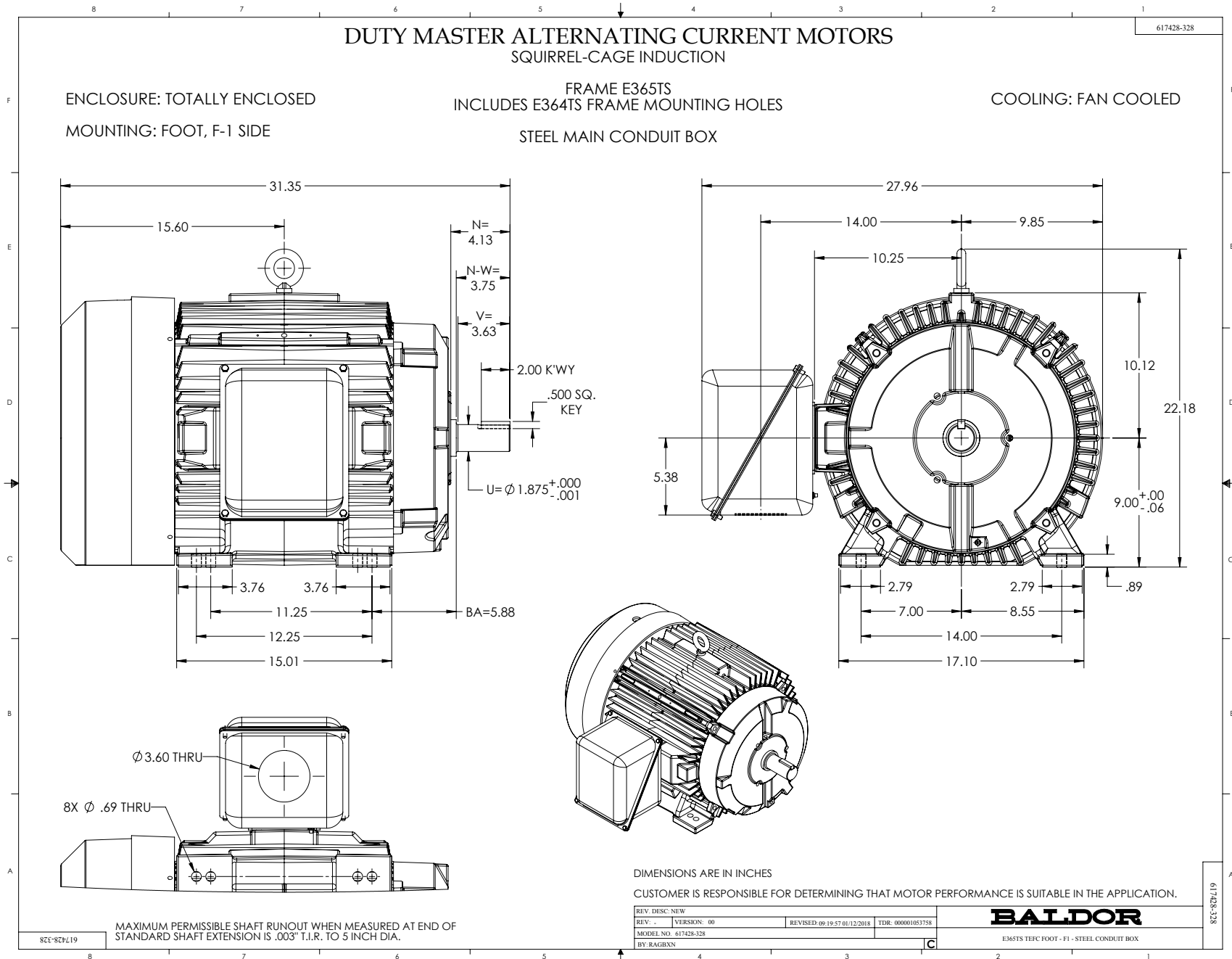
NP4152LUA

CAT #	XT3752TS-5			SER				CC	010A			
SPEC	A36-0002-1546			RATING	40C AMB-CONT							
HZ	VOLTS		AMPS	RPM	HP	CODE	SF	DES	PF	NEMA NOM. EFF		
60	575		65.5	3555	75	F	1.15	B	92 %	93.6 %		
									%		%	
PH	3	CL	F	MAX RPM	4500	MAX CORR KVAR	6.5	USABLE AT 208V			A	
BRG	DE	6313	ODE	6313	ENCL	TEFC	FR	365TS	IP	54		
GREASE	POLYREX EM						MTR WT	LBS				
	CL I DIV 2 GRPS A,B,C,D				CL I ZONE 2 GRPS			IIA,IIB,IIC		TEMP T	200 C	
INV READY	CT	6:1	HZ	10-60	VT	1000:1	HZ	0-60	CHP	1:1.25	HZ	60-75
INV TEMP CL	T3	C	USABLE AT									
SFA 75.7												

Parts list

Part number	Description	Quantity
SA397492	SA A36-0002-1546	1.000 ea
RA388388	RA A36-0002-1546	1.000 ea
421948051	LABEL, MYLAR	1.000 ea
000692000VD	LABEL WARNING	1.000 ea
LB1449	DIV-2/NEC WARNING LABEL	1.000 ea
NP4152LUA	SS CP XT CLI DIV2 UR CSA-C US-EEV NEMA P	1.000 ea
085922073B	BRKT 360 085922072WCC KB	1.000 ea
415072001B	CLAMP	1.000 ea
078559001A	+FANCV - 360	1.000 ea
034180012DA	KEY 1X4X1/4X1-1/2 L	1.000 ea
412118006A	DRAIN	1.000 ea
702675001C	FAN 360	1.000 ea
004824015A	GREASE POLYREX EM	0.540 lb
032018012DK	HHCS 1/2-13X1-1/2 PLTD. 032018012DR	4.000 ea
032018008AK	HHCS 1/4-20X1 PLATED	4.000 ea
032018024CK	HHCS 3/8-16X3 PLTD.	3.000 ea
415096002A	CPLG 1/8 HEX TYPE	1.000 ea
415045002E	SLGR	1.000 ea
410700004F	WSHR	1.000 ea
035000001G	GREASE RELIEF FITTING, ALEMITE 317400	1.000 ea
034530052AB	P/NIP 1/8X6-1/2 Zinc	1.000 ea
034600001AA	BUSH 1/4TO1/8 BLACK	1.000 ea
034600001AA	BUSH 1/4TO1/8 BLACK	1.000 ea
085922073B	BRKT 360 085922072WCC KB	1.000 ea
032018012DK	HHCS 1/2-13X1-1/2 PLTD. 032018012DR	4.000 ea
032018024CK	HHCS 3/8-16X3 PLTD.	3.000 ea
415045002E	SLGR	1.000 ea
412118006A	DRAIN	1.000 ea
034530020AB	P/NIP 1/8X2-1/2 PLTED	1.000 ea
415096002A	CPLG 1/8 HEX TYPE	1.000 ea
035000001G	GREASE RELIEF FITTING, ALEMITE 317400	1.000 ea

077176000L	C/BOX, PAINTED 440	1.000 ea
077176001A	CBOXC, PAINTED 360-400	1.000 ea
043292000AJ	GASK 320-400	1.000 ea
402731001A	GASK 360-440	1.000 ea
418150003A	GREASE FITTING CAP	1.000 ea
032018005AK	HHCS 1/4-20X5/8 PLATED	4.000 ea
032018008CK	HHCS 3/8-16X1L PLATED	4.000 ea
035000001A	ALFTG 1/8" 1610-BL	1.000 ea
415000115H	T/LUG #2AWG-4/0AWG	1.000 ea
406099000A	PLUG - FAN COVER 320-440	1.000 ea
032018005DL	1/2-13 X 5/8 SILICON BRONZE HHCS	1.000 ea
035000001A	ALFTG 1/8" 1610-BL	1.000 ea
418150003A	GREASE FITTING CAP	1.000 ea
MG1025L14	WILKOFAS, 776.14, GRUNDFOS BLACK	0.250 ga
033775004EA	DRSCR #6-1/4 304 S.S.	4.000 ea
034180016GA	KEY 1/2X1/2X2 L	1.000 ea
14PA1000	PACKAGING 314 GROUP COMBINED PRINT	1.000 ea
HW1000A32	5/16 FL WASHER WIDE, ID=.344, OD=1.125	3.000 ea
032509020C	CARRIAGE BOLT - 360	3.000 ea



416820-036

A-C MOTOR
CONNECTION DIAGRAM
STANDARD 3 LEAD CONNECTED



(N.P. 1575-BA)

416820-036

REV. DESC: LOADED TO BUS, C/R 335225		
REV. LTR: -	VERSION: 00	TDR: 000000538207
FILE: \MGA\00000\682	REVISED: 11:54:06 04/30/2010	
MTL: -	BY: RAGRA	

BALDOR

CONN DIAG - STANDARD 3 LEAD
SH 1 of 1