

**BALDOR • RELIANCE**

---

# Customer information packet

## XT3756T

75HP, 1185RPM, 3PH, 60HZ, 405T, A40064M, TEFC

Class - None

Division - Division II

Copyright © All product information within this document is subject to ABB Motors and Mechanical Inc. copyright © protection, unless otherwise noted.

7/14/2022 7:36:02 PM

## Specifications

Enclosure	TEFC
Frame	405T
Frame Material	Iron
Frequency	60.00 Hz
Motor Letter Type	Three Phase
Output @ Frequency	75.000 HP @ 60 HZ
Phase	3
Synchronous Speed @ Frequency	1200 RPM @ 60 HZ
Voltage @ Frequency	230.0 V @ 60 HZ 460.0 V @ 60 HZ
XP Class and Group	None
XP Division	Division II
Ambient Temperature	40 °C
Auxillary Box	No Auxillary Box
Base Indicator	Rigid
Bearing Grease Type	Polyrex EM (-20F +300F)
Constant Torque Speed Range	10-60
Current @ Voltage	174.000 A @ 230.0 V 87.000 A @ 460.0 V
Design Code	B
Drip Cover	No Drip Cover
Duty Rating	CONT
Efficiency @ 100% Load	94.5 %
Feedback Device	NO FEEDBACK
Heater Indicator	No Heater
High Voltage Full Load Amps	87.0 a
Insulation Class	F
Inverter Code	Inverter Ready
IP Rating	NONE
KVA Code	G
Motor Lead Quantity/Wire Size	3 @ 2 AWG
Motor Standards	NEMA

## Part detail

Revision	D
Type	AC
Mech. spec.	
Base	
Status	PRD/A
Elec. spec.	A40WG0770
Layout	617429-001
Eff. date	10-22-2021
CD Diagram	416820-002
Poles	06
Leads	3#2,6#4
Proprietary	False
Created date	08-12-2020

<b>Motor Type</b>	A40064M
<b>Mounting Arrangement</b>	F1
<b>Number of Poles</b>	6
<b>Overall Length</b>	38.19 IN
<b>Power Factor</b>	85
<b>Product Family</b>	General Industrial
<b>Pulley End Bearing Type</b>	Ball
<b>Pulley Face Code</b>	Standard
<b>Service Factor</b>	1.15
<b>Shaft Diameter</b>	2.875 IN
<b>Shaft Ground Indicator</b>	No Shaft Grounding
<b>Shaft Rotation</b>	Reversible
<b>Shaft Slinger Indicator</b>	Shaft Slinger
<b>Speed</b>	1185 rpm
<b>Speed Code</b>	Single Speed
<b>Starting Method</b>	Direct on line
<b>Thermal Device - Bearing</b>	None
<b>Thermal Device - Winding</b>	None
<b>XP Temp Code</b>	T3

**Nameplate**

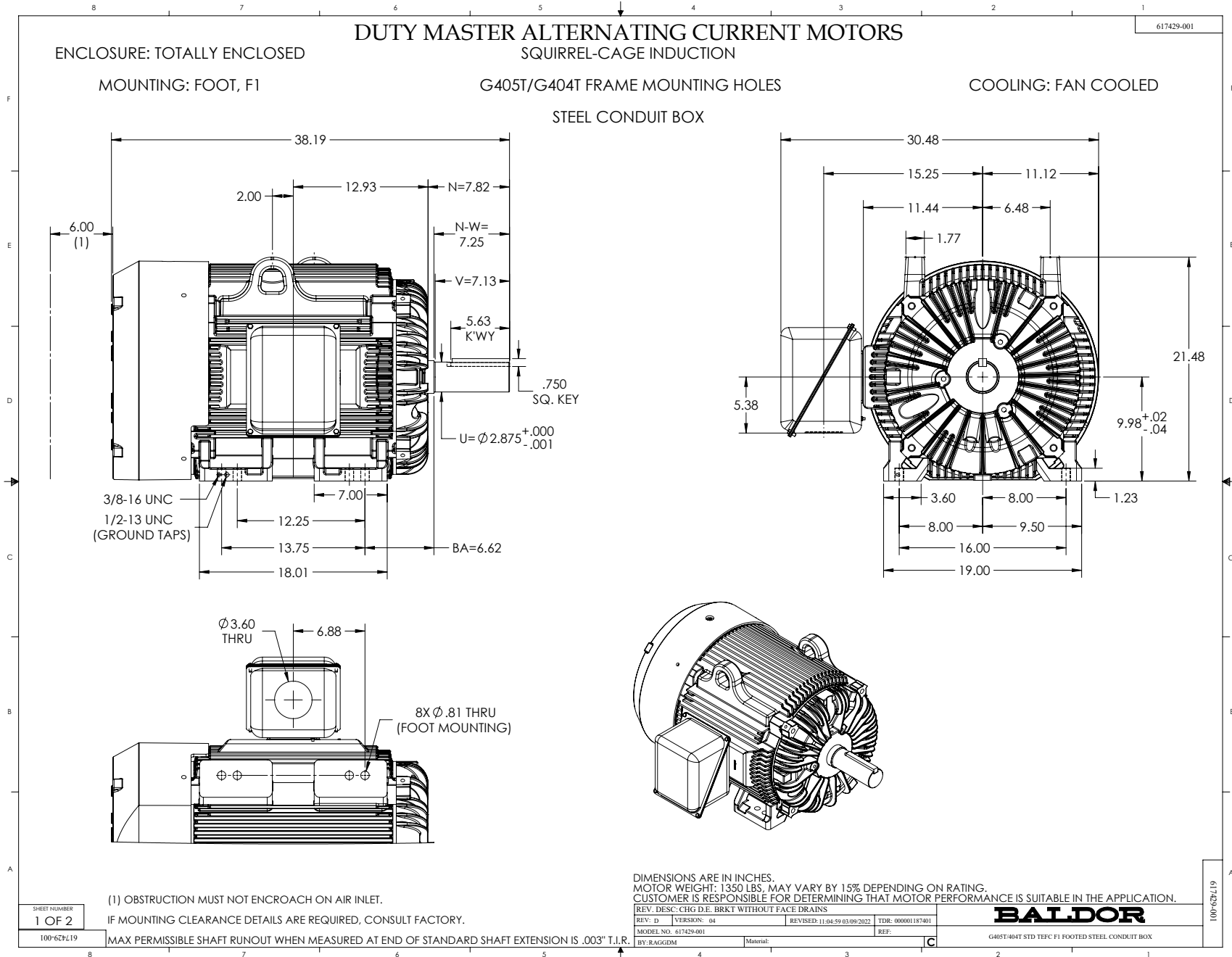
**NP4152LUA**

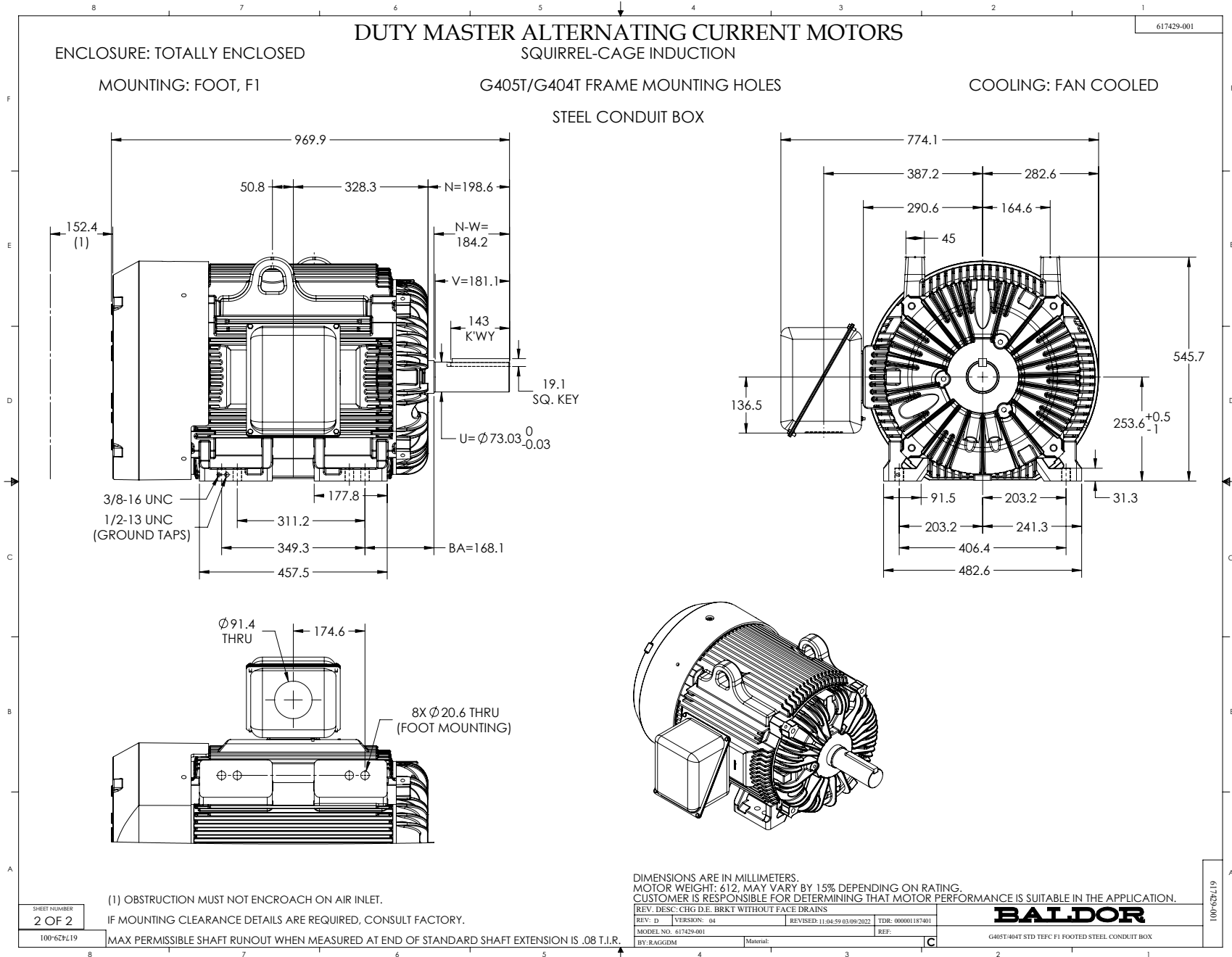
<b>CAT #</b>	XT3756T		<b>SER</b>			<b>CC</b>	010A					
<b>SPEC</b>	A40-7213-0770		<b>RATING</b>	40C AMB-CONT								
<b>HZ</b>	<b>VOLTS</b>		<b>AMPS</b>	<b>RPM</b>	<b>HP</b>	<b>CODE</b>	<b>SF</b>	<b>DES</b>	<b>PF</b>	<b>NEMA NOM. EFF</b>		
60	230/460		174/87	1185	75	G	1.15	B	85 %	94.5 %		
									%		%	
<b>PH</b>	3	<b>CL</b>	F	<b>MAX RPM</b>	2700	<b>MAX CORR KVAR</b>	15	<b>USABLE AT 208V</b>			A	
<b>BRG</b>	<b>DE</b>	6316	<b>ODE</b>	6316	<b>ENCL</b>	TEFC	<b>FR</b>	405T	<b>IP</b>	54		
<b>GREASE</b>	POLYREX EM				<b>MTR WT</b>			<b>LBS</b>				
	<b>CL I DIV 2 GRPS A,B,C,D</b>			<b>CL I ZONE 2 GRPS</b>			<b>IIA,IIB,IIC</b>		<b>TEMP T</b>	200	<b>C</b>	
<b>INV READY</b>	<b>CT</b>	10-60	<b>HZ</b>	6:1	<b>VT</b>	0-60	<b>HZ</b>	1000:1	<b>CHP</b>	60-90	<b>HZ</b>	1:1.5
<b>INV TEMP CL</b>	T3	<b>C</b>	<b>USABLE AT</b>	50HZ 60HP 190/380V 169/84.5A					1.0SF			

## Parts list

Part number	Description	Quantity
SA385052	SA A40-7213-0770	1.000 ea
RA375292	RA A40-7213-0770	1.000 ea
421948032	LABEL, MYLAR	1.000 ea
000692000VD	LABEL WARNING	1.000 ea
LB1449	DIV-2/NEC WARNING LABEL	1.000 ea
NP4152LUA	SS CP XT CLI DIV2 UR CSA-C US-EEV NEMA P	1.000 ea
412118006A	DRAIN	2.000 ea
034690005AB	PPLG 3/4 PLATED	1.000 ea
089412501A	BRKT FTMT G400 FIN MACH 6316 89412500WCA	1.000 ea
415072001B	CLAMP	1.000 ea
083198127A	G400 MOLDED FAN COVER	1.000 ea
034180012DA	KEY 1X4X1/4X1-1/2 L	1.000 ea
078550001H	FAN KB 120/60 360	1.000 ea
004824015A	GREASE POLYREX EM	0.880 lb
032018020EK	HHCS 5/8-11X2-1/2 PLTD.	4.000 ea
032018008CK	HHCS 3/8-16X1L PLATED	4.000 ea
032018026CK	HHCS 3/8-16X3-1/4 PLTD.	3.000 ea
034631002AB	BUSH 1/4 TO 1/8 PLTD.	1.000 ea
415096002A	CPLG 1/8 HEX TYPE	1.000 ea
415045002B	SLGR	1.000 ea
410700000DA	WAVY SPRING WASHER	1.000 ea
035000001G	GREASE RELIEF FITTING, ALEMITE 317400	1.000 ea
034001014AB	FLAT WASHER 3/8"PLATED	4.000 ea
034530056AB	1/8 X 7 PP NIPPLE	1.000 ea
034530056BB	P/NIP 1/4X7 SCHED 40	1.000 ea
089412501A	BRKT FTMT G400 FIN MACH 6316 89412500WCA	1.000 ea
032018020EK	HHCS 5/8-11X2-1/2 PLTD.	4.000 ea
032018026CK	HHCS 3/8-16X3-1/4 PLTD.	3.000 ea
415045002B	SLGR	1.000 ea
034530040AB	P/NIP 1/8X5 GALV.	1.000 ea
034530040BB	P/NIP 1/4X5	1.000 ea

034631002AB	BUSH 1/4 TO 1/8 PLTD.	1.000 ea
415096002A	CPLG 1/8 HEX TYPE	1.000 ea
035000001G	GREASE RELIEF FITTING, ALEMITE 317400	1.000 ea
077176000L	C/BOX, PAINTED 440	1.000 ea
077176001A	CBOXC, PAINTED 360-400	1.000 ea
043292000AJ	GASK 320-400	1.000 ea
402731001A	GASK 360-440	1.000 ea
418150003A	GREASE FITTING CAP	1.000 ea
032018005AK	HHCS 1/4-20X5/8 PLATED	4.000 ea
032018008CK	HHCS 3/8-16X1L PLATED	4.000 ea
032018005DL	1/2-13 X 5/8 SILICON BRONZE HHCS	1.000 ea
035000001A	ALFTG 1/8" 1610-BL	1.000 ea
415000115H	T/LUG #2AWG-4/OAWG	1.000 ea
406099000A	PLUG - FAN COVER 320-440	1.000 ea
035000001A	ALFTG 1/8" 1610-BL	1.000 ea
418150003A	GREASE FITTING CAP	1.000 ea
MG1025L14	WILKOFAS, 776.14, GRUNDFOS BLACK	0.380 ga
033775004EA	DRSCR #6-1/4 304 S.S.	4.000 ea
034180044JA	KEY 3/4X3/4X5-1/2 L	1.000 ea
604797045	STD. 400 FRAME SKID	1.000 ea
032510024D	CARRIAGE BOLT - 444	2.000 ea
034001014AB	FLAT WASHER 3/8"PLATED	2.000 ea
034001016AB	WSHR .562ID 1.375OD .109	2.000 ea
033300014AC	HEX NUT, SHIPPING - 400	2.000 ea
604799003C	PLASTIC BAG 42X32X46	1.000 ea

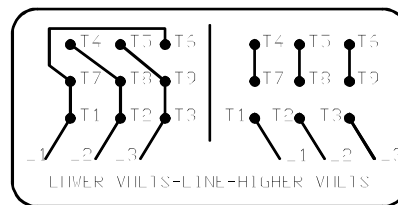
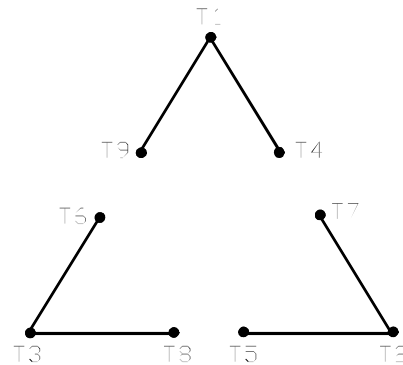






416820-002

A-C MOTOR  
 CONNECTION DIAGRAM  
 STANDARD 9 LEAD DELTA-CONNECTED



(N.P. 1575-B)

416820-002

REV. DESC: FONT CHANGE FOR PDF SEARCHABLE		
REV. LTR: A	VERSION: 01	TDR: 000001009382
FILE: \MGA\00000\661	REVISED: 02:46:19 02/13/2020	BY: MGHMTT
MTL: -	© □	

**BALDOR - RELIANCE®**

CONN DIAG - STANDARD 9 LEAD, DELTA-CONNECTED

SH 1 of 1