

PRODUCT INFORMATION PACKET

Model No: 215TTDBD7205

Catalog No: Y469A

General Purpose Motor, 5,1.25 HP, 3 Ph, 60 Hz, 460 V, 1800 RPM, 215T Frame, DP



Regal and Marathon are trademarks of Regal Rexnord Corporation or one of its affiliated companies.

©2022 Regal Rexnord Corporation, All Rights Reserved. MC017097E



Nameplate Specifications

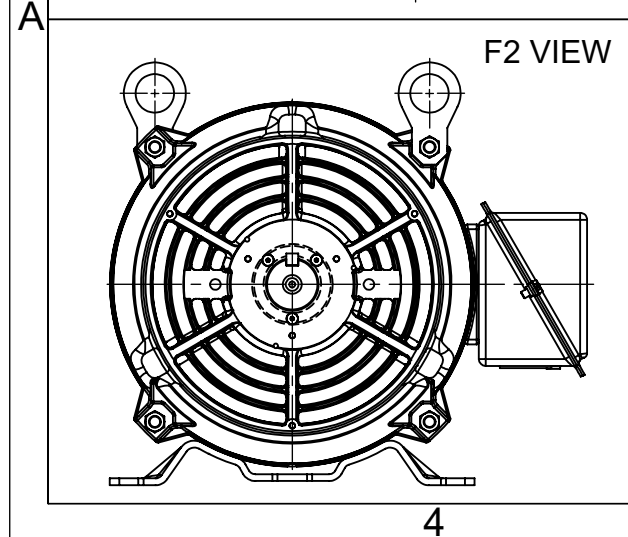
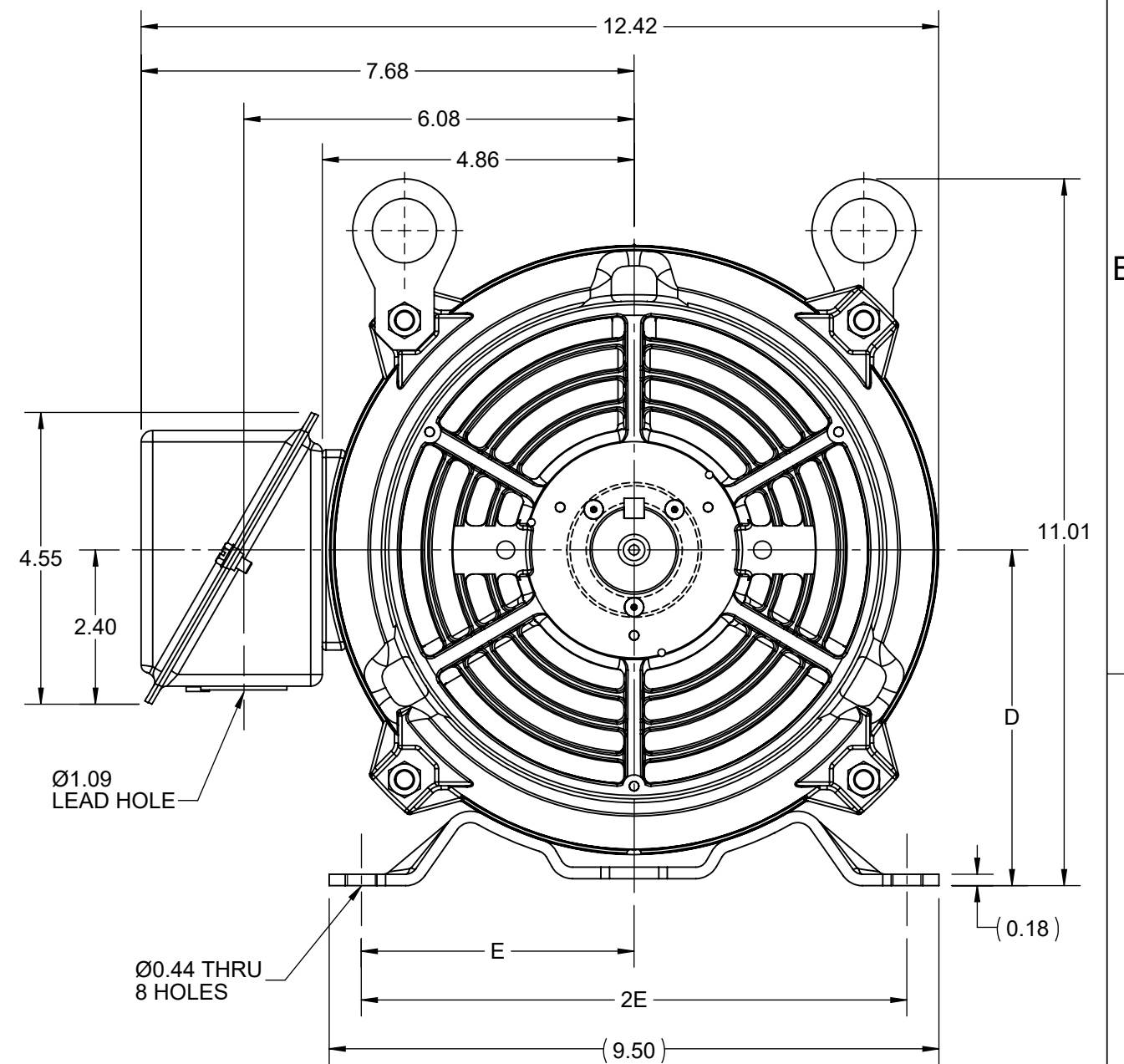
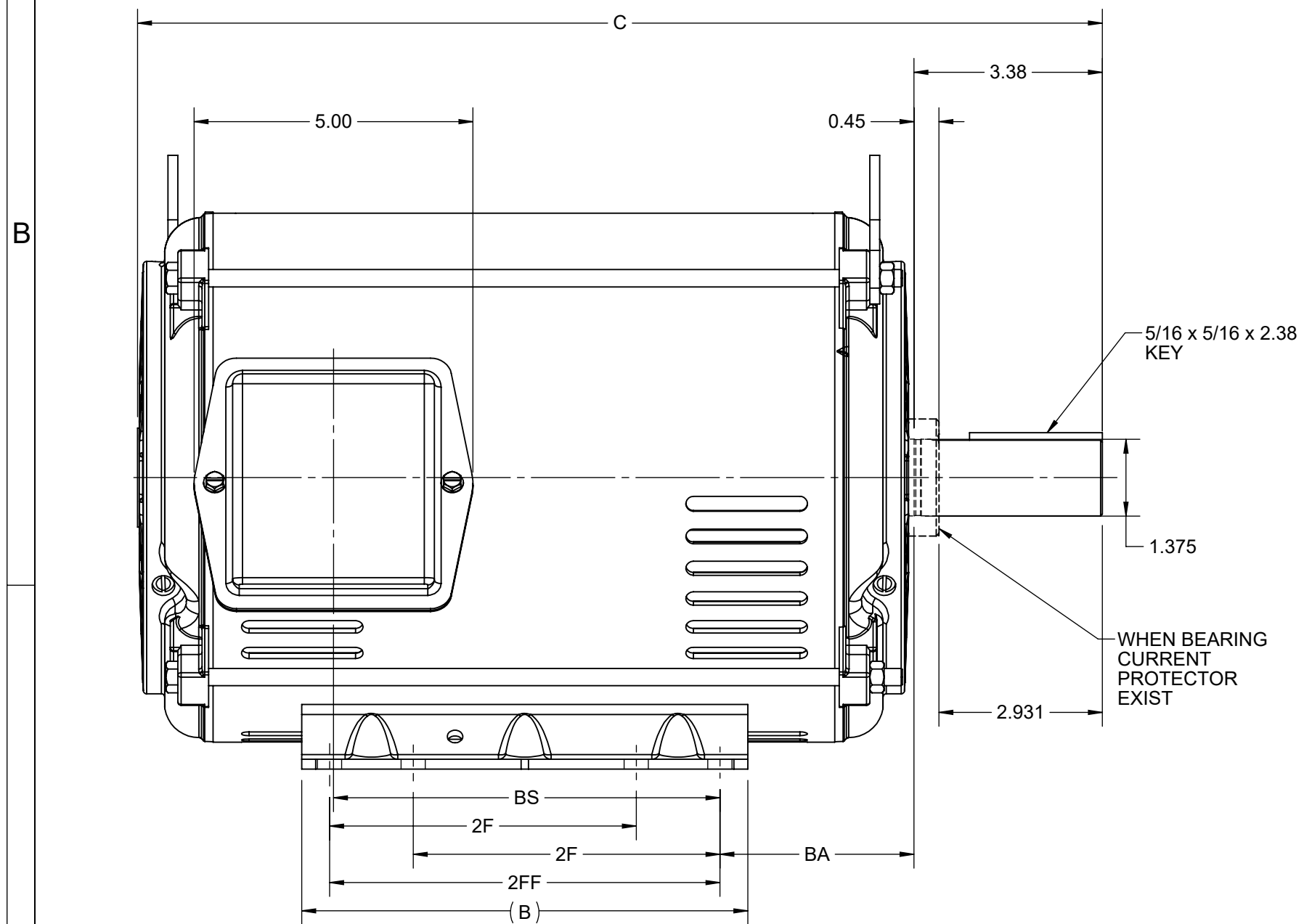
Output HP	5,1.25 Hp	Output KW	3.7 kW
Frequency	60 Hz	Voltage	460 V
Current	6.5,2.2 A	Speed	1778,878 rpm
Service Factor	1.15	Phase	3
Efficiency	87.5 %	Power Factor	81.5
Duty	Continuous	Insulation Class	F
Design Code	2VT	KVA Code	K
Frame	215T	Enclosure	Drip Proof
Thermal Protection	No Protection	Ambient Temperature	40 °C
Drive End Bearing Size	6307	Opp Drive End Bearing Size	6206
UL	Recognized	CSA	Y
CE	Y	IP Code	22
Number of Speeds	2		

Technical Specifications

Electrical Type	Squirrel Cage Induction Run	Starting Method	Across The Line
Poles	4//8	Rotation	Reversible
Resistance Main	2.85574 Ohms	Mounting	Rigid Base
Motor Orientation	Horizontal	Drive End Bearing	Ball
Opp Drive End Bearing	Ball	Frame Material	Rolled Steel
Shaft Type	T	Shaft Diameter	1.375 in
Assembly/Box Mounting	F1/F2 CAPABLE		
Connection Drawing	EE7317	Outline Drawing	SS620684

This is an uncontrolled document once printed or downloaded and is subject to change without notice. Date Created:11/30/2022

4			3						
B	C	D	E	2E	2F	2FF	BA	BS	MOUNTING
8.00	17.30	5.25	4.25	8.50	5.50	7.00	3.50	6.93	F1 OR F2

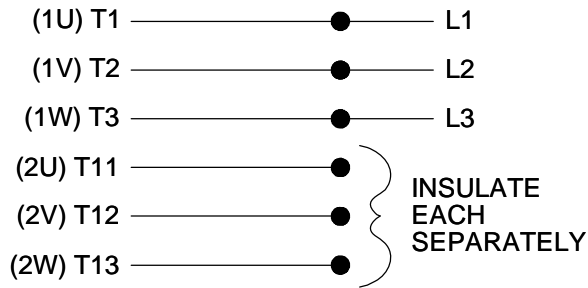


DRAWING REVISION F	REVISION BY GOPI J	REV DATE/© DATE 09/05/2022
REQUEST NUMBER CR-0008840	APPROVED BY GNK	DATE 09/05/2022
REQUEST NUMBER DESCRIPTION FRAME AND CONDUIT BOX PART # UPDATED AS PER CR		
<small>COPYRIGHT (PER REVISION DATE) REGAL BELOIT AMERICA, INC. ALL RIGHTS RESERVED. PROPRIETARY AND CONFIDENTIAL INFORMATION - THIS DOCUMENT IS THE PROPERTY OF REGAL BELOIT AMERICA, INC. ("OWNER") AND CONTAINS OWNER'S PROPRIETARY INFORMATION. ANY PERSON, CORPORATION OR OTHER FIRM RECEIVING IT IS DEEMED, BY RECEIVING IT, TO AGREE THAT IT, AND/OR ANY PART OF IT, SHALL NOT BE DISCLOSED TO ANY PERSON, CORPORATION OR OTHER ENTITY, DUPLICATED, AND/OR USED, EXCEPT AS EXPRESSLY APPROVED IN WRITING IN ADVANCE BY OWNER. THIS DOCUMENT SHALL BE RETURNED TO OWNER UPON REQUEST. IT MAY BE SUBJECT TO CERTAIN RESTRICTIONS UNDER APPLICABLE EXPORT CONTROL LAWS AND REGULATIONS.</small>		

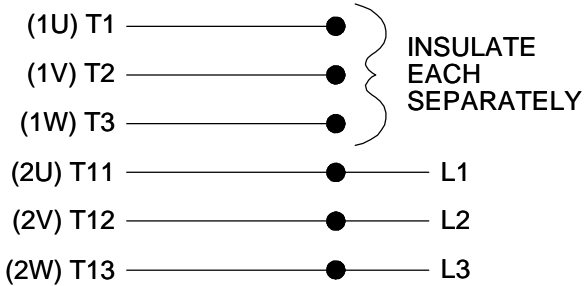
PRIMARY DIMENSIONS ARE INCH
mm DIMENSIONS IN [BRACKETS]
ARE FOR REFERENCE ONLY

DRAWN BY ZXW	Regal Beloit America, Inc.	
DATE 16/04/2015		
APPROVED BY ZL	DESCRIPTION OUTLINE 213/215T FR NEMA ODP RS	
DATE 16/04/2015	MATERIAL	PROCESS/FINISH
REFERENCE	SIZE B	DRAWING NUMBER SS620684
THIRD ANGLE PROJECTION	SHEET 1 OF 1	

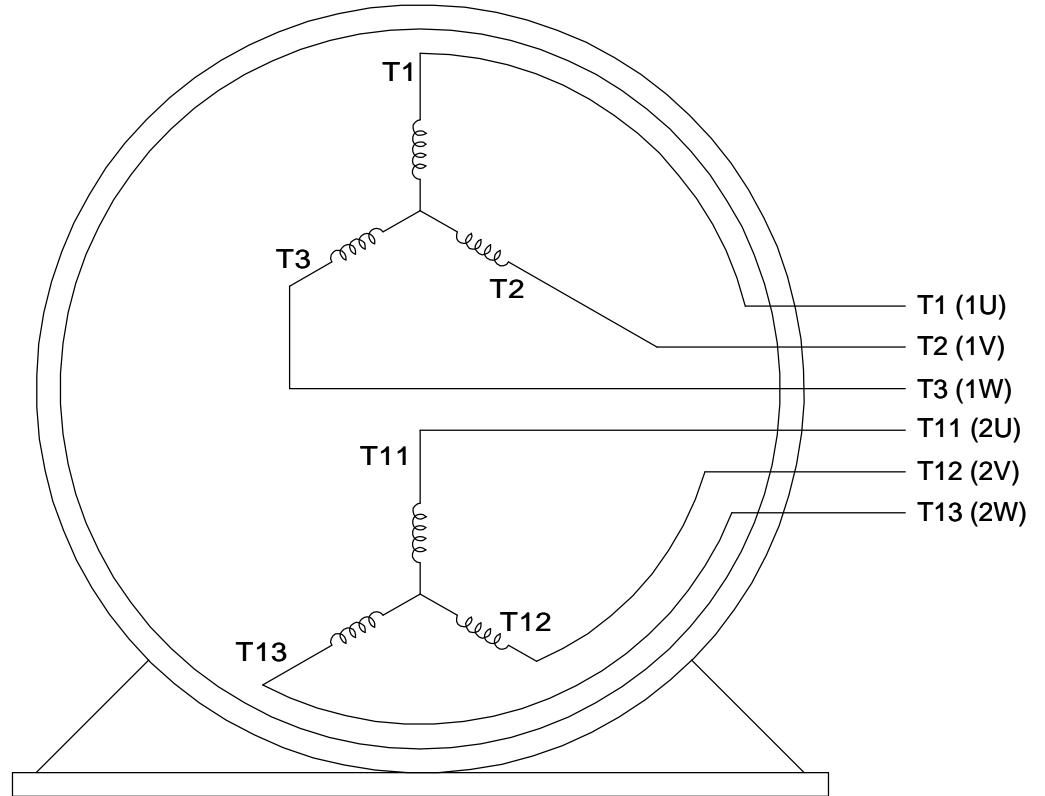
LOW SPEED



HIGHSPEED



**THREE PHASE, SINGLE VOLT, 6 LEAD
2 SPEED REVERSIBLE MOTOR**



VIEW OF TERMINAL END

TO REVERSE ROTATION ON
EITHER SPEED: INTERCHANGE
ANY 2 LEADS ON THE
WINDING IN USE.

DRAWING REVISION C	REVISION BY JJB	DATE 10-25-2017		DRAWN BY LZ	Regal Beloit America, Inc.
ECO ECO-0132917	APPROVED BY TLB	DATE 10-30-2017		DATE 01-05-1994	
ECO DESCRIPTION REVISED PER ECO & UPDATED TO STANDARDS				APPROVED BY GK	DESCRIPTION CONN DIAGRAM-INTERNAL
<small>COPYRIGHT REGAL BELOIT AMERICA, INC. ALL RIGHTS RESERVED. PROPRIETARY AND CONFIDENTIAL INFORMATION - THIS DOCUMENT IS THE PROPERTY OF REGAL BELOIT AMERICA, INC. ("OWNER") AND CONTAINS OWNER'S PROPRIETARY INFORMATION. ANY PERSON, CORPORATION OR OTHER FIRM RECEIVING IT IS DEEMED, BY RECEIVING IT, TO AGREE THAT IT, AND/OR ANY PART OF IT, SHALL NOT BE DISCLOSED TO ANY PERSON, CORPORATION OR OTHER ENTITY, DUPLICATED, AND/OR USED, EXCEPT AS EXPRESSLY APPROVED IN WRITING IN ADVANCE BY OWNER. THIS DOCUMENT SHALL BE RETURNED TO OWNER UPON REQUEST. IT MAY BE SUBJECT TO CERTAIN RESTRICTIONS UNDER APPLICABLE EXPORT CONTROL LAWS AND REGULATIONS.</small>				DATE 01-17-1994	3 PHASE - SINGLE - 2 SPEED REVERSIBLE
			REFERENCE	MATERIAL	PROCESS/FINISH
			THIRD ANGLE PROJECTION	SIZE A	DRAWING NUMBER EE7317