

PRODUCT INFORMATION PACKET

Model No: 444TTFC6633

Catalog No: Y824A

Crusher Duty Motor, 125 HP, 3 Ph, 60 Hz, 460 V, 1800 RPM, 444T Frame, TEFC



Regal and are trademarks of Regal Rexnord Corporation or one of its affiliated companies.
©2022 Regal Rexnord Corporation, All Rights Reserved. MC017097E

Nameplate Specifications

Output HP	125 Hp	Output KW	93.0 kW
Frequency	60 Hz	Voltage	460 V
Current	140.0 A	Speed	1786 rpm
Service Factor	1.15	Phase	3
Efficiency	95.4 %	Power Factor	88
Duty	Continuous	Insulation Class	F
Design Code	C	KVA Code	F
Frame	444T	Enclosure	Totally Enclosed Fan Cooled
Thermal Protection	No Protection	Ambient Temperature	40 °C
Drive End Bearing Size	NU319	Opp Drive End Bearing Size	6317
UL	Recognized	CSA	Y
CE	Y	IP Code	55
Number of Speeds	1		

Technical Specifications

Electrical Type	Squirrel Cage Inverter Rated	Starting Method	Part Wdg Start & Wye Start Delta Run Or Inverter
Poles	4	Rotation	Reversible
Resistance Main	.038 Ohms	Mounting	Rigid Base
Motor Orientation	Horizontal	Drive End Bearing	Roller
Opp Drive End Bearing	Ball	Frame Material	Cast Iron
Shaft Type	T	Overall Length	50.78 in
Shaft Diameter	3.375 in	Shaft Extension	8.5 in
Assembly/Box Mounting	F1/F2 CAPABLE	Inverter Load	CONSTANT 10:1
Connection Drawing	EE7300BH	Outline Drawing	SS620677-444T

4

3

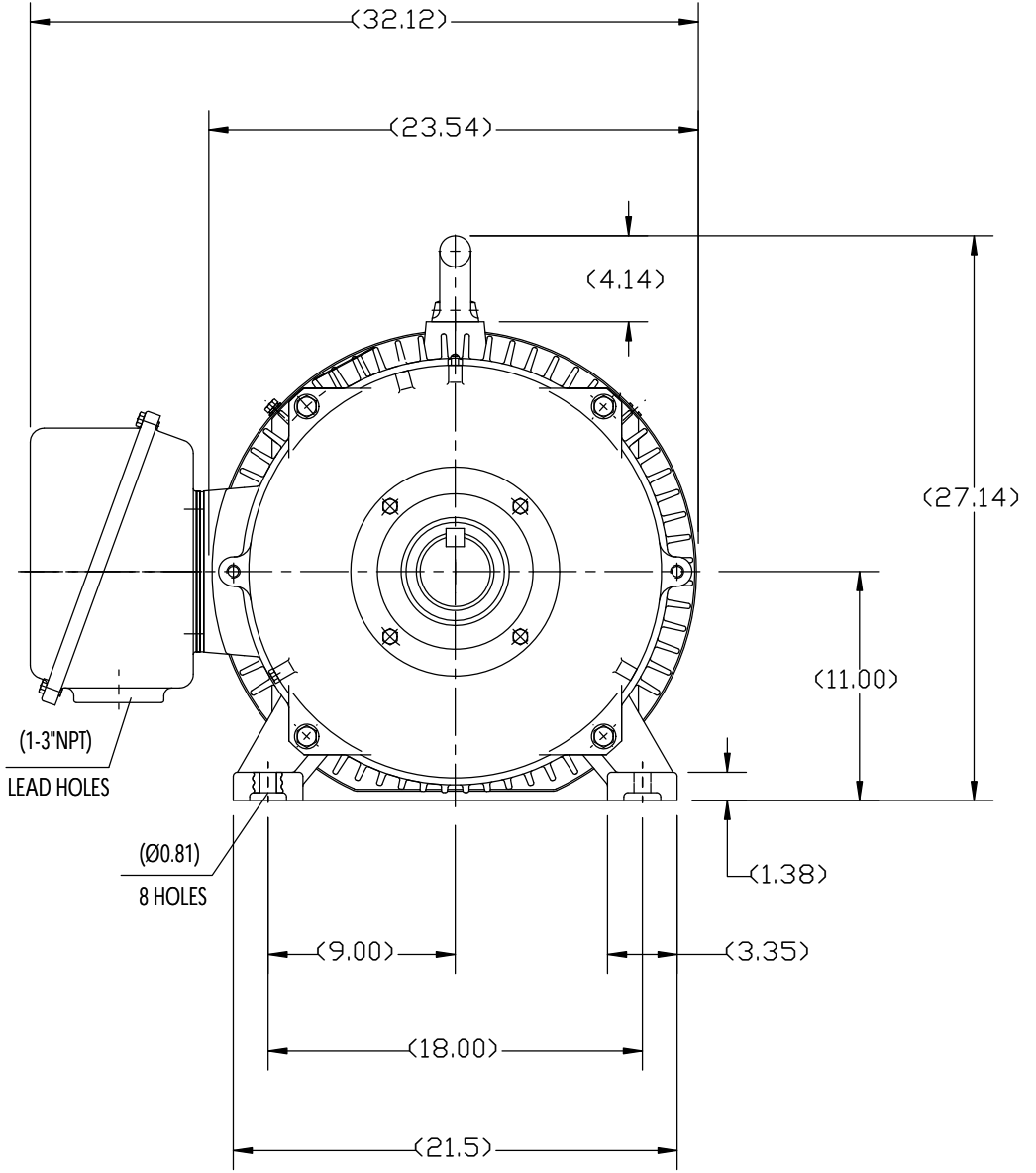
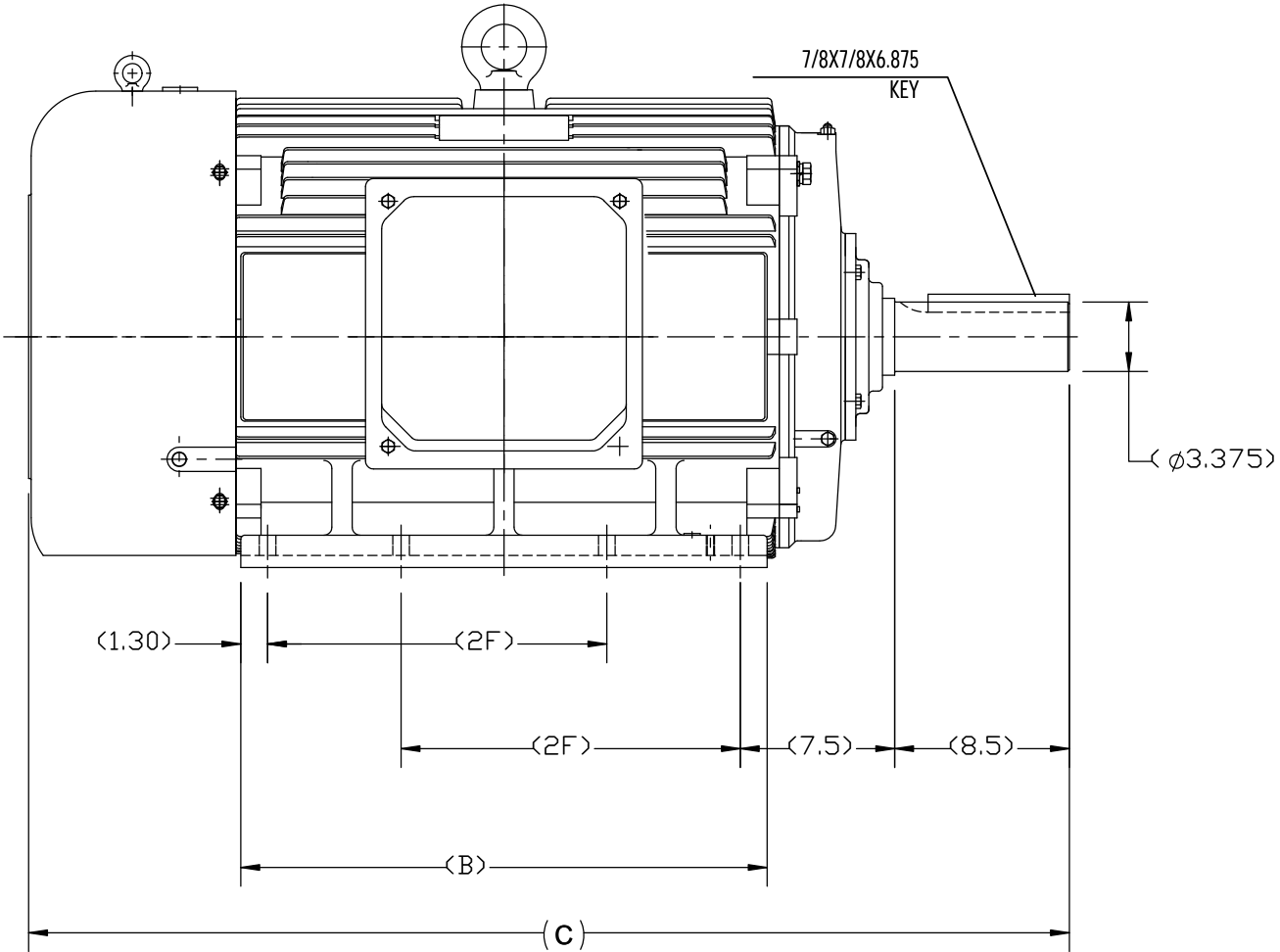
Uncontrolled Copy

2

1

B

B



A

A

444T	50.787	25.60	14.50
445T			16.50
FRAME	C	B	2F
	4		

DRAWING REVISION B	REVISION BY W. JOERGER	DATE 02-27-2017
ECO ECO-0118824	APPROVED BY E. HEIL	DATE 02-27-2017
ECO DESCRIPTION REMOVED 447T/449T FRAME MOTORS		
<small>COPYRIGHT REGAL BELOIT AMERICA, INC. ALL RIGHTS RESERVED. PROPRIETARY AND CONFIDENTIAL INFORMATION - THIS DOCUMENT IS THE PROPERTY OF REGAL BELOIT AMERICA, INC. ("OWNER") AND CONTAINS OWNER'S PROPRIETARY INFORMATION. ANY PERSON, CORPORATION OR OTHER FIRM RECEIVING IT IS DEEMED, BY RECEIVING IT, TO AGREE THAT IT, AND/OR ANY PART OF IT, SHALL NOT BE DISCLOSED TO ANY PERSON, CORPORATION OR OTHER ENTITY, DUPLICATED, AND/OR USED, EXCEPT AS EXPRESSLY APPROVED IN WRITING IN ADVANCE BY OWNER. THIS DOCUMENT SHALL BE RETURNED TO OWNER UPON REQUEST. IT MAY BE SUBJECT TO CERTAIN RESTRICTIONS UNDER APPLICABLE EXPORT CONTROL LAWS AND REGULATIONS.</small>		

TOLERANCES UNLESS OTHERWISE SPECIFIED:			
DEC.	INCH	mm	ANGLE
.X	± 0.1	[± 2.5]	$\pm 7' 30"$
.XX	± 0.03	[± 0.76]	
.XXX	± 0.005	[± 0.127]	
.XXXX	± 0.0005	[± 0.0127]	
REMOVE BURRS & BREAK SHARP EDGES: .003/.015 [0.076/.381] X 45°			
CORNER FILLETS: R.02 [.51]			
MACHINED SURFACES: 200 INCH 5.1 mm			
mm SHOWN IN [BRACKETS]			

DRAWN BY ZYH
DATE 04-22-2012
APPROVED BY WGH
DATE 04-22-2012
REFERENCE
THIRD ANGLE PROJECTION

REGAL ™ Regal Beloit America, Inc.	
DESCRIPTION OUTLINE 444T/445T FR-TEFC-CAST IRON-SEVERE DUTY	
MATERIAL	PROCESS/FINISH
SIZE B	DRAWING NUMBER SS620677
SHEET 1 OF 1	



VIEW OF TERMINAL END

				TOLERANCES UNLESS SPECIFIED		REGAL REGAL - BELOIT CORPORATION	DRAWN RJW 02-11-2005				
				DEC.	INCHES		CHK	ML	02-11-2005		
				.X	±.1		APPD	GK	02-11-2005		
				.XX	±.02	TITLE CONNECTION DIAGRAM		SCALE			
D	CHANGED TO REGAL TITLE BLOCK	ECO-0108299	WGJ 08/22/2016	EMH	.XXX ±.005	12 LEAD- SINGLE VOLTAGE		REF			
1	ADDED IEC TERMINAL MARKINGS	CN 41429	JJB 05/24/2007	ML	.XXXX ±.0005	MAT'L.		FMF			
NO.	REVISION	BY & DATE	CHK	ANG	±7'30"	FINISH		PREV			
THIS DRAWING IN DESIGN AND DETAIL IS OUR PROPERTY AND MUST NOT BE USED EXCEPT IN CONNECTION WITH OUR WORK ALL RIGHTS OF DESIGN AND INVENTION ARE RESERVED THIS IS AN ELECTRONICALLY GENERATED DOCUMENT - DO NOT SCALE THIS PRINT						RFP 02-11-2005	CAD FILE ee7300bh	SIZE A	DRAWING NO. EE7300BH	PAGE OF	REV. C
						DIST LB					

CERTIFICATION DATA SHEET

Model#: 444TTFC6633 AA **WINDING#:** CHT44440004 NONE 1
CONN. DIAGRAM: EE7300BH **ASSEMBLY:** F1/F2 CAPABLE
OUTLINE: SS620677

TYPICAL MOTOR PERFORMANCE DATA

HP	KW	SYNC. RPM	F.L. RPM	FRAME	ENCLOSURE	KVA CODE	DESIGN			
125&100	93&75	1800	1786&1486	444T	TEFC	F	C			
PH	Hz	VOLTS	FL AMPS	START TYPE	DUTY	INSL	S.F	AMB°C	ELEVATION	
3	60/50	460#380	140&135	PWS & YDRUN OR INV	CONTINUOUS	F7	1.15/1.15	40	3300	
FULL LOAD EFF: 95.4&95		3/4 LOAD EFF: 95.8		1/2 LOAD EFF: 95.4		GTD. EFF		ELEC. TYPE		NO LOAD AMPS
FULL LOAD PF: 88&88		3/4 LOAD PF: 87		1/2 LOAD PF: 83		95		SQ CAGE INV RATED		35
F.L. TORQUE		LOCKED ROTOR AMPS		L.R. TORQUE		B.D. TORQUE		F.L. RISE°C		
367 LB-FT		878		825 LB-FT 225		850 LB-FT 230		55		
SOUND PRESSURE @ 3 FT.	SOUND POWER	ROTOR WK^2	MAX. WK^2	SAFE STALL TIME	STARTS /HOUR	APPROX. MOTOR WGT				
75 dBA	85 dBA	60 LB-FT^2	750 LB-FT^2	25 SEC.	2	2450 LBS.				

***** SUPPLEMENTAL INFORMATION *****

DE BRACKET TYPE	ODE BRACKET TYPE	MOUNT TYPE	ORIENTATION	SEVERE DUTY	HAZARDOUS LOCATION	DRIP COVER	SCREENS	PAINT
STANDARD	STANDARD	RIGID	HORIZONTAL	PREMIUM SEVERE DUTY	NONE	FALSE	NONE	BLUE (EPOXY)

BEARINGS		GREASE	SHAFT TYPE	SPECIAL DE	SPECIAL ODE	SHAFT MATERIAL	FRAME MATERIAL
DE	OPE	SHC-100/POLYREX	T	NONE	NONE	4140 STRESSPROOF (C-214)	CAST IRON
ROLLER	BALL						
NU319	6317						

THERMO-PROTECTORS				THERMISTORS	CONTROL	SPACE /n HEATERS
THERMOSTATS	PROTECTORS	WDG RTDs	BRG RTDs	NONE	FALSE	NONE VOLTS
NONE	NOT	NONE	NONE			

If Inverter equals NONE, contact factory for further information

INVERTER TORQUE: CONSTANT 10:1		
INV. HP SPEED RANGE: NONE		
ENCODER: NONE		
NONE	NONE	
NONE	NONE	PPR
BRAKE: NONE NONE		
NONE	P/N	NONE
NONE	NONE	
NONE FT-LB	NONE V	NONE Hz

*
N
O
T
E
S
*

DATE: 07/08/2017 05:58:22 AM
 FORM 3531 REV.3 02/07/99
 ** Subject to change without notice.

Data Sheet

Date: 20-06-2017
 Customer: _____
 Attention: _____
 Submitted by: FAREEDA DUDEKULA



444TFC6633

Submittal

Data @ 460 V

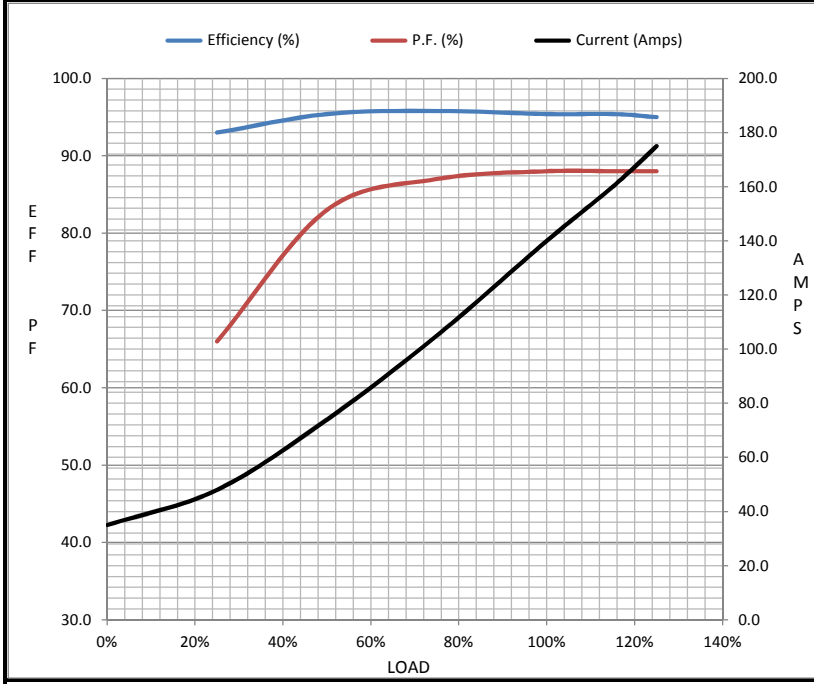
Motor Load Data

Load	0%	25%	50%	75%	100%	115%	125%	LR
Current (Amps)	35.0	48.0	74.0	105	140	160	175	878
Torque (ft-lb)	0.00	91.5	183	275	367	423	460	825
RPM	1800	1796	1794	1790	1786	1,784	1782	0
Efficiency (%)		93.0	95.4	95.8	95.4	95.4	95.0	
P.F. (%)	5.5	66.0	83.0	87.0	88.0	88.0	88.0	37.0

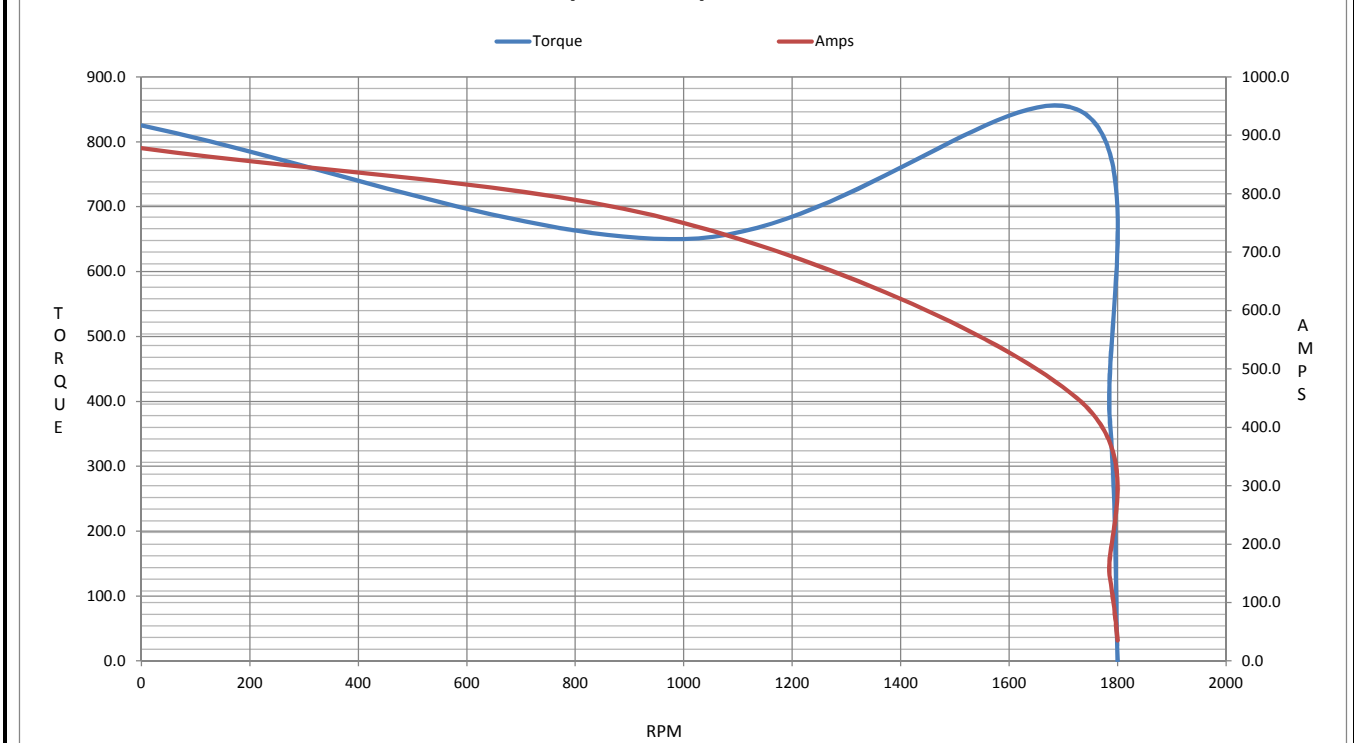
Motor Speed Data

	LR	Pull-Up	BD	Rated	Idle
Speed (RPM)	0	1000	1725	1786	1800
Current (Amps)	878	750	450	140	35.0
Torque (ft-lb)	825	650	850	367	0.00

Information Block				
HP	125.0			
Sync. RPM	1800			
Frame	444			
Enclosure	TEFC			
Construction	TFC			
Voltage	460#380 V			
Frequency	60 Hz			
Design	A			
LR Code letter	F			
Service Factor	1.15			
Temp Rise @ FL	55 ° C			
Duty	CONT			
Ambient	40 ° C			
Elevation	1,000 feet			
Rotor/Shaft wk ²	60.0 Lb-Ft ²			
Ref Wdg	CHT44440004 NONE			
Sound Pressure @ 1M	75 dBA			
VFD Rating	CONSTANT 10:1			
Outline Dwg	SS620677			
Conn. Diag	EE7300BH			
Additional Specifications:				
0				
365THFS8036				
EQUIV CKT (OHMS / PHASE)				
R1	R2	X1	X2	Xm
0.0290	0.0150	0.1580	0.2250	7.5700



Speed - Torque Curve



EC Declaration of Conformity

The undersigned representing
the manufacturer:

Regal Beloit America
100 East Randolph St.
Wausau, WI 54401

and the authorized representative
established within the Community:

Marathon Electric UK
6F Thistleton Road Ind. Estate
Market Overton
Oakham, Rutland LE15 7PP UK

are committed to providing customers with products that comply with applicable regulations and international protocols to which they are subject, including the requirements of the European Parliament Directive on the Harmonization of the laws relating to electrical equipment designed for use within certain voltage limits (2014/35/EU).

Regal Beloit America declares that the following product(s), to which this declaration relates, are in conformity with the relevant sections of the EC standards listed below.

This statement supersedes any statements previously issued pertaining to the product(s) listed below and is subject to change without notice.

Model No : 444TTFC6633

(Model No. may contain prefix and/or suffix characters)

Catalog No : Y824A

Rework No : N/A

Directives :

Low Voltage Directive 2014/35/EU

Harmonized Standards Used :

EN 60034-1: 2010 (IEC 60034-1: 2010)

EN 60034-5: 2001/A1:2007 (IEC 60034-5: 2000/A1:2006)

Authorized Representative:



Michael A. Logsdon
Vice President, Technology

Authorized Representative in the Community:



Julian Clark
Marketing Engineer

Created on 09/01/2022

CE 22